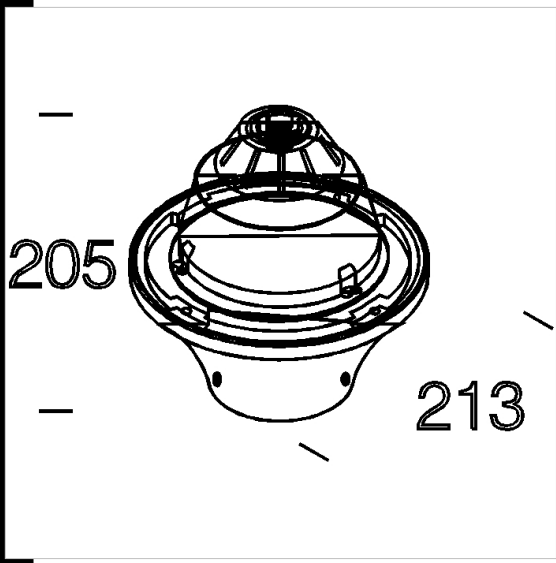




**Download**  
DXF 2D  
- d1313.dxf  
3DS  
- 1313\_base.3ds  
3DM  
- 1313\_base.3dm  
Montaggi  
- 1313-1320-1350-1355-1356-1357  
02-18.pdf

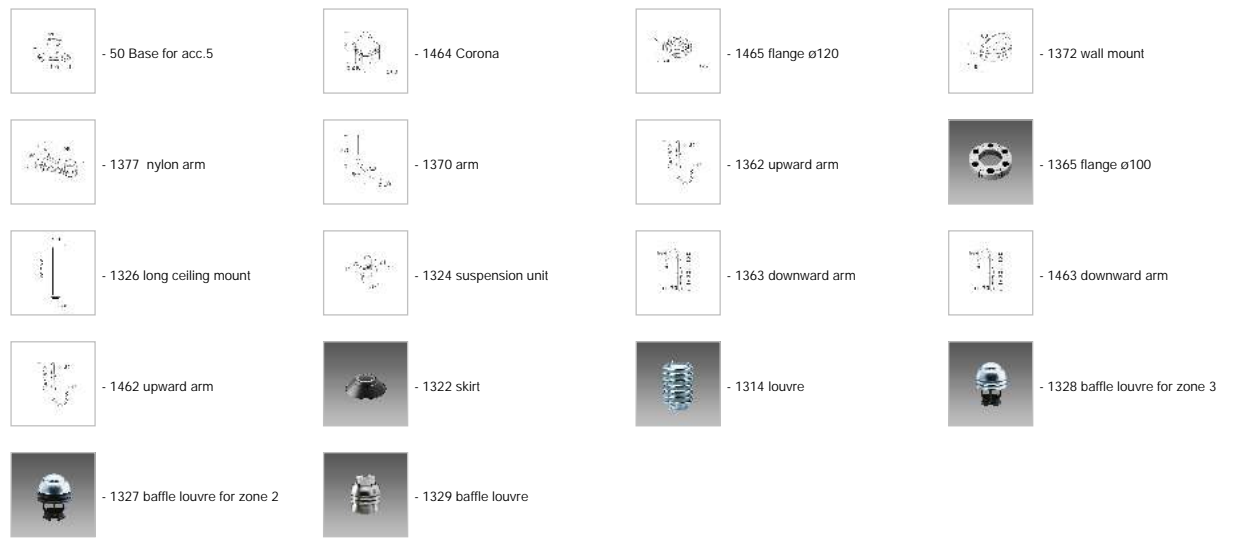


**1313 aluminium base S/CNR**

Housing: In die-cast aluminium complete with wiring container.  
Painting: Housing in epoxy cationic electrocoating, upon chromate treatment, resistant to corrosion and saline mist. Wiring container in UV-stabilized, anti-yellowing acrylic anionic electrocoating, upon chromate treatment.  
Electric gear: 230V/50Hz power supply. Flexible silicone wire terminated with quick-connect clamps in admiralty brass, with fiber-glass braid, 1.5 sqmm cross-section. 2P terminal block with maximum allowed lead cross section of 4 sqmm.  
Standard supply: Ring to secure the aluminium diffuser with a waterproof gasket.  
Use: For 380; 450; 500 diam. diffusers.  
Mounting: on poles or arms with 60 mm diam. fitting.  
Produced according to applicable EN60598-1 CEI 34-21 standards, IP65IK08 degree of protection in compliance with EN 60529 standards. It has been granted the ENEC European Certificate of Conformity.  
Insulation Class II.  
Lamps: For INC100; SAP-E50; SAP-E70; SAP-E100. lamps.

Code	Gear	Kg	Lumen-K-CRI	WTot	Base	Colour
426268-00	CNR	2.70	SAP-E 100---	114 W	E40	GRAPHITE
426259-00	S	1.24	MAX 100---	0 W	E27	GRAPHITE
426264-00	CNR	2.70	SAP-E 70-5600lm-2000K-Ra 4	82 W	E27	GRAPHITE

**Accessories**



The reported luminous flux is the flux emitted by the light source with a tolerance of ± 10% compared to the indicated value. The W tot column indicates the total wattage absorbed by the system without exceeding 10% of the indicated