



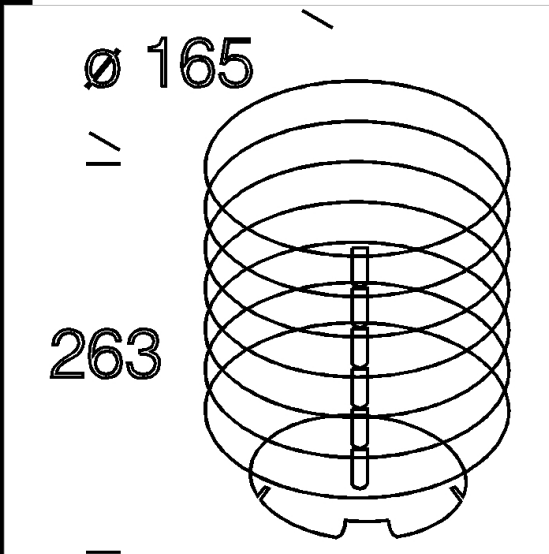
Download

DXF 2D
- acc1314.dxf



1314 louvre

In 99.5 anodized aluminium. Max 125 version for acc. 1313. Max 150 version for acc. 1318. Grey colour is ideal for better lamp shielding, recommended only where there are professional astronomic observatories.



Code	Kg	Lumen-K-CRI	WTot	Base	Colour
426257-00	1.00	MAX 100---	0 W	E27	ALUMINIUM

Products



- 1313 aluminium base S/CNR



- 1300 TR

The reported luminous flux is the flux emitted by the light source with a tolerance of $\pm 10\%$ compared to the indicated value. The W tot column indicates the total wattage absorbed by the system without exceeding 10% of the indicated