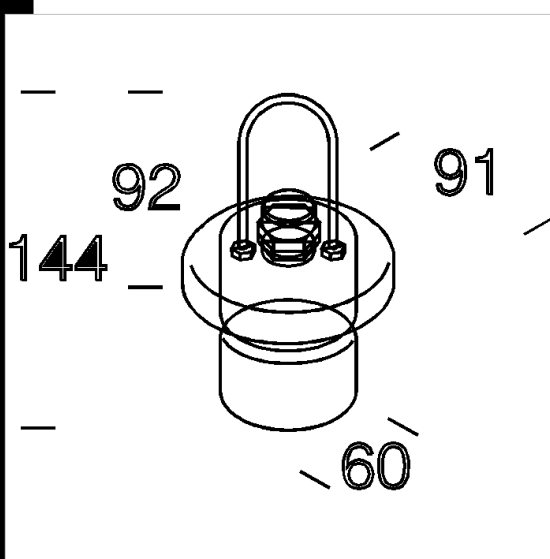
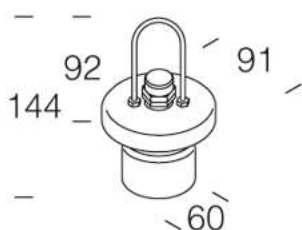


1324 suspension unit

In tropicalized aluminium, painted by epoxy cationic electrocoating, black, with rough finish. For suspension of acc. 1313/1318.

Download

DXF 2D
- d1324.dxf



Code	Kg	WTot	Colour
426236-00	0,44	0 W	GRAPHITE

Prodotti



The reported luminous flux is the flux emitted by the light source with a tolerance of $\pm 10\%$ compared to the indicated value. The W tot column indicates the total wattage absorbed by the system without exceeding 10% of the indicated