

1335 Globo LED against light pollution

Globe: in shatterproof and self-extinguishing V2 polycarbonate, UV-stabilised and anti-yellowing. Excellent transparency for perfect light penetration. The top part is coated to comply with anti-lighting pollution requirements.

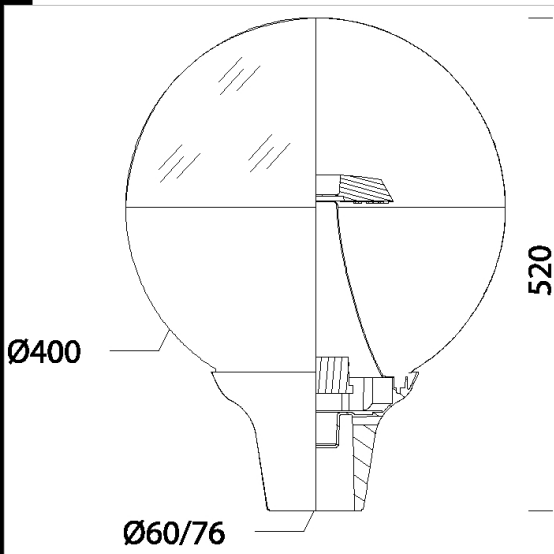
Base: in die-cast aluminium.

Central cone: in black coated aluminium to protect against light pollution.

Equipment: complete with plug-socket for quick installation. temperature control device inside the lamp with automatic recovery. Safety diode to protect against voltage peaks pursuant to EN61547. Dedicated electronic device to protect the LED module.

Regulations: Produced according to applicable EN60598-1 CEI 34-21 standards, degree of protection according to EN 60529 standards.

Luminous flux maintenance 80%: 50.000h (L80B20).



Code	Gear	Kg	Lumen Output-K-CRI	WTot	Colour
425600-00	CLD	3.28	LED-2119lm-4000K-CRI 80	29 W	GREY9007
425600-39	CLD	4.28	LED-1971lm-3000K-CRI 80	29 W	GREY9007
425601-00	CLD	3.28	LED-1380lm-4000K-CRI 80	20 W	GREY9007
425601-39	CLD	3.66	LED-1283lm-3000K-CRI 80	20 W	GREY9007

Accessories



- 1362 upward arm



- 1365 flange ø100



- 1364 Corona ø100



- 1361 wall mounting

Posts



- 1408 fluted ø100 pole with base



- 1278 conical pole



- 1481 tapered steel lighting pole to be buried



- 1480 tapered steel lighting pole with base



- 5 fiberglass pole



- 1409 fluted pole ø100

The reported luminous flux is the flux emitted by the light source with a tolerance of ± 10% compared to the indicated value. The W tot column indicates the total wattage absorbed by the system without exceeding 10% of the indicated