



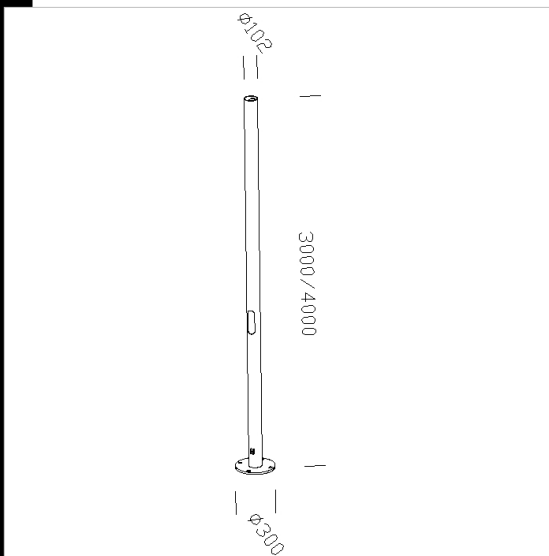
**Download**

DXF 2D  
- 106.dxf



106 pole with base -  $\varnothing 102$

Steel pole  $\varnothing 102$ . With die-cast aluminium inspection window (191x55mm),



Code	Kg	WTot	Colour
425421-00	0.00	0 W	ARGENTO SAB.
425422-00	0.00	0 W	ARGENTO SAB.
425425-00	0.00	0 W	GRAPHITE
425426-00	0.00	0 W	GRAPHITE

**Products**



- 1286 Twin LED



- 1283 Twin

The reported luminous flux is the flux emitted by the light source with a tolerance of  $\pm 10\%$  compared to the indicated value. The W tot column indicates the total wattage absorbed by the system without exceeding 10% of the indicated