

1477 Urban mast with base - Lucerna

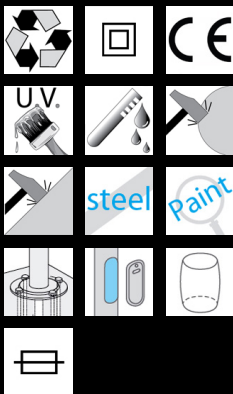


Tapered steel lighting pole. With hole for insertion of power supply cable, pole-head connection, $\varnothing 60$.

For the version with base, 4 log bolts to be sunk into the ground, bolts and lids have to be purchased. Size of inspection window 38x132 (h 3000) - 45x186 (h 4000-5000-6000), supplied with protection fuse holder, 2 fuses, 16A, removable terminal block, 4 poles/3 holes = 6sqmm and shunt 4sqmm.

Standard insulation class II. When using Insulation Class I fixtures, appropriate grounding connections should be included in the system.

NOTE. Before selecting the appropriate pole, make all necessary wind pressure resistance tests, pursuant to the Standards or Legislative Decrees in force in the countries where the pole will be mounted and based on the assumed loads specified in Standard EN 40-3-1. An accurate and suitable protection or insulation of the surfaces involved is recommended to avoid any direct contact with the new masonry or concrete screed



Download

DXF 2D

- 1477v.dxf

3DS

- disano_1477_urban_6m.3ds

- disano_1477_urban_4e1m.3ds

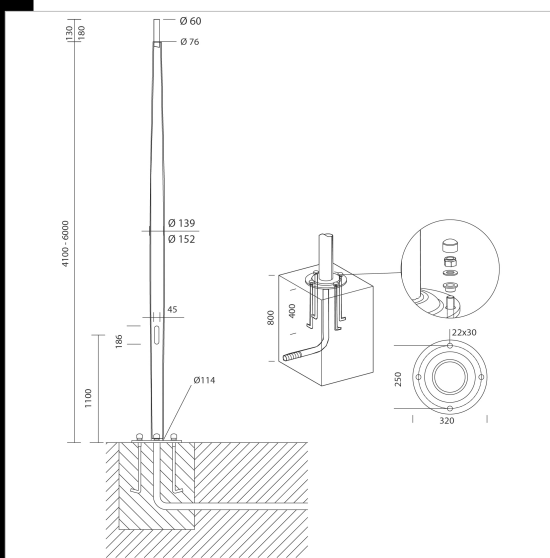
3DM

- disano_1477_urban_6m.3dm

- disano_1477_urban_4e1m.3dm

Montaggi

- 1440-1441-1477-1478 10-13.pdf



Code	Kg	Colour	Dimension	Aboveground	Underground
425362-00	50,00	ANTHRACITE	4100x0x0 $\varnothing 0$	4100	

Prodotti



- 3334 Disco 5 - central

The reported luminous flux is the flux emitted by the light source with a tolerance of $\pm 10\%$ compared to the indicated value. The W tot column indicates the total wattage absorbed by the system without exceeding 10% of the indicated