

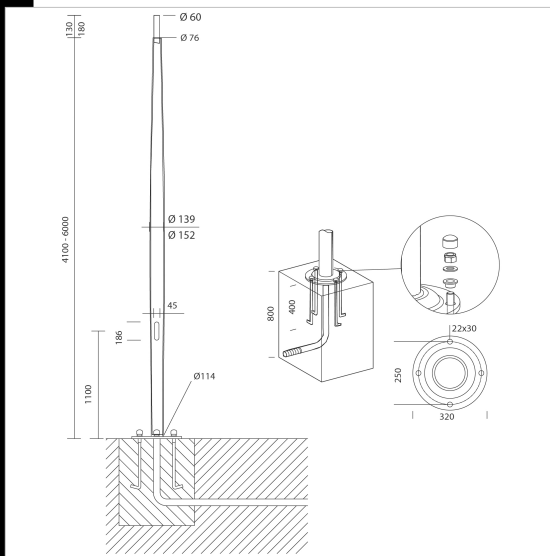
Download

- DXF 2D
- 1477v.dxf
- 3DS
- disano_1477_urban_6m.3ds
- disano_1477_urban_4e1m.3ds
- 3DM
- disano_1477_urban_4e1m.3dm
- disano_1477_urban_6m.3dm
- Montaggi
- 1440-1441-1477-1478 10-13.pdf



1477 Urban mast with base

Tapered steel lighting pole. With hole for insertion of power supply cable, pole-head connection, $\varnothing 60$.
For the version with base, 4 log bolts to be sunk into the ground, bolts and lids have to be purchased. Size of inspection window 38x132 (h 3000) - 45x186 (h 4000-5000-6000), supplied with protection fuse holder, 2 fuses, 16A, removable terminal block, 4 poles/3 holes = 6sqmm and shunt 4sqmm. Standard insulation class II. When using Insulation Class I fixtures, appropriate grounding connections should be included in the system.
NOTE. Before selecting the appropriate pole, make all necessary wind pressure resistance tests, pursuant to the Standards or Legislative Decrees in force in the countries where the pole will be mounted and based on the assumed loads specified in Standard EN 40-3-1. An accurate and suitable protection or insulation of the surfaces involved is recommended to avoid any direct contact with the new masonry or concrete screed



Code	Kg	Colour	Dimension	Aboveground	Underground
425360-00	46.00	GREY9007	4100x0x0 $\varnothing 0$	4100	
425361-00	48.00	GRAPHITE	4100x0x0 $\varnothing 0$	4100	
425363-00	64.00	GREY9007	6000x0x0 $\varnothing 0$	6000	
425364-00	64.00	GRAPHITE	6000x0x0 $\varnothing 0$	6000	

Accessories



- 299



- 295 log-bolts - France only

Products



- 1513 Torcia LED COB



- 1766 Lanterna LED



- 3203 Lucerna Q3 with diffuser



- 3210 Lucerna R1



- 3213 Lucerna R3 with diffuser



- 3200 Lucerna Q1



- 3197 Montecarlo LED with bracket - cycle lanes



- 3194 Sforza LED with bracket - light scattering with elliptical lenses



- 1573 Volo LED wide beam



- 1593 Volo LED - bike trails



- 3221 Sforza LED asymmetric



- 1517 Clima LED



- 1518 Clima LED against light pollution



- 3196 Sforza LED with bracket - cycle lanes



- 3178 Montecarlo LED with bracket - light scattering with



- 1707 Torcia LED

The reported luminous flux is the flux emitted by the light source with a tolerance of $\pm 10\%$ compared to the indicated value. The W tot column indicates the total wattage absorbed by the system without exceeding 10% of the indicated

Products

	- 3334 Disco 5 - central connection		- 1570 Clima - LED		- 3342 Loto 3 - asymmetric		- 3340 Loto 1 - clear wide beam
	- 1205 Polar - LED		- 3343 Loto 4 - cycle lanes		- 3355 Garda 5 - rotosymmetrical		- 3350 Garda 1 - rotosymmetrical
	- 3351 Garda 2 - asymmetric		- 3353 Garda 4 - cycle lanes + street type		- 3352 Garda 3 - cycle lanes		- 3290 Sella 1 - ST
	- 3340 Loto 2 - matt wide beam		- 3291 Sella 1 - STWB		- 3292 Sella 1 - asymmetrical 45°		- 3293 Sella 1 - Asymmetrical 60°
	- 3294 Sella 1 - cycle paths		- 3295 Sella 1 - large areas		- 3390 Sella 2 - ST		- 3391 Sella 2 - STWB
	- 3392 Sella 2 - Asymmetrical 45°		- 3395 Sella 2 - large areas		- 3375 Mini Stelvio - high performance - street type		- 3376 Mini Stelvio - high performance - large areas
	- 3296 Sella 1 - HP		- 3396 Sella 2 - HP		- 3383 Como 1 - rotosymmetrical		- 3384 Como 2 - asymmetric
	- 3385 Como 3 - cycle lanes		- 3393 Sella 2 - Asymmetrical		- 3480 Mini Giovi - high		- 3481 Mini Giovi - high performance - residential
	- 3482 Mini Giovi - high		- 3475 Mini Giovi W1 -		- 3476 Mini Giovi W2 -		- 3477 Mini Giovi N1 - cycleways
	- 3478 Mini Giovi M1 - residential		- 3479 Mini Giovi T4 - large		- 3486 Mini Giovi left (L) - for		- 3487 Mini Giovi right (R) - for
	- 3483 Mini Giovi AMBER - large		- 3484 Mini Giovi AMBER -		- 3485 Mini Giovi AMBER -		- 3490 Giovi - high performance
	- 3491 Giovi - high performance		- 3473 Giovi W1 - residential		- 3495 Giovi W2 - residential		- 3472 Giovi M1 - residential
	- 3474 Giovi M2 - residential amenities		- 3496 Giovi - left (L) - for pedestrian crossing		- 3497 Giovi - right (R) - for pedestrian crossing		- 3494 Giovi T4 - asymmetric - large areas
	- 3297 Sella 1 - left (L) - for pedestrian crossing		- 3298 Sella 1 - right (R) - for pedestrian crossing				

The reported luminous flux is the flux emitted by the light source with a tolerance of $\pm 10\%$ compared to the indicated value. The W tot column indicates the total wattage absorbed by the system without exceeding 10% of the indicated