

3581 Volo - cycle lanes + street type

Housing and frame: pressed in die-cast aluminium and designed with a very small surface exposed to wind. Cooling fins are integrated into the cover.
Pole connection: pressed in die-cast aluminium. Suited for poles with a diameter 60 mm.

Diffuser: extra-clear tempered glass, 4 mm thick, resistant to thermal shocks and impacts (UNI-EN 12150-1: 2001).

Coating: the standard liquid immersion coating consists of a first metal surface pre-treatment stage, a successive epoxy cataphoresis corrosion and salt resistant coating, and a final layer of bi-component acrylic liquid UV-stabilised coating.

On request: coating compliant with UNI EN ISO 9227 Corrosion tests in artificial atmospheres for aggressive environments.

Standard supply: Automatic temperature control inside the device with automatic resetting. Safety diode to protect against voltage peaks compliant with EN 61547. With dedicated electronic device to protect the LED module. Supplied with connector for mains connection and complete with an air-circulation valve.

Optical system: the modularity of the optical system, the solutions used for the electronic circuit design and the optimal control of operating temperatures, make the new Volo line a highly professional, flexible and reliable product, capable of guaranteeing huge application advantages in several situations

Optique : made of PMMA with high temperature resistance and UV rays.

Energy-saving: the possibility to choose the correct drive current for LEDs will allow you to have the right power under specific design conditions, and also help you deal with maintenance and retrofitting problems. Using a lower current will improve the efficiency of fixtures and therefore increase energy savings, whilst a higher current will result in a higher light flux so that you can reduce the number of fixtures.

Regulations: produced according to applicable EN60598-1 CEI 34-21 standards, degree of protection according to EN 60529 standards.

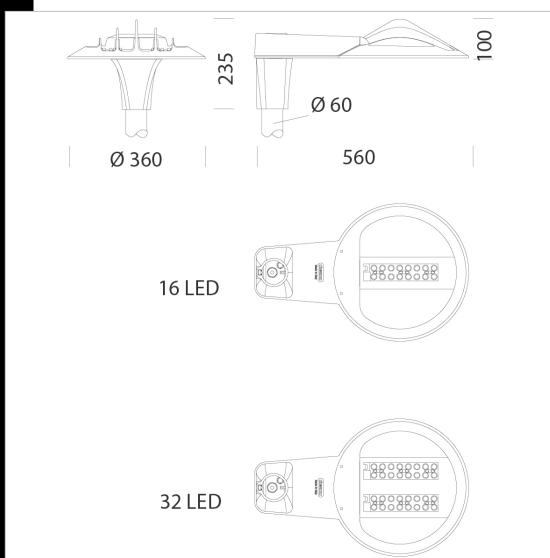
LED: Power factor ≥ 0.9 .

Luminous flux maintenance 80%: 100.000h (L80B10)

Upon request:

- with power supply 1-10 V dimmable with subcode 12.
- with virtual midnight subcode 30.
- power line carrier remote control systems subcode 0078.
- possibility to control each individual light point
- Nema Socket, subcode 40
- Zhaga Socket, subcode 0054

Registered Design DM/100271



Download

DXF 2D
- 3581G.dxf

3DS
- disano_3581_volo_st_32led.3ds
- disano_3581_volo_st_16led.3ds

3DM
- disano_3581_volo_st_32led.3dm
- disano_3581_volo_st_16led.3dm

Montaggi
- volo 07-20.pdf
- bi-power config.pdf

BIM
- 3581 Volo - cycle lanes + street type
- 20200224.zip

Code	Gear	Kg	Lumen Output-K-CRI	WTot	Colour	Surge
424610-00	CLD CELL	5.13	LED-4411lm-4000K-CRI 70	35 W	PERLA	6/10kV
424610-39	CLD CELL	5.62	LED-4177lm-3000K-CRI 70	35 W	PERLA	6/10kV
424612-00	CLD CELL	5.71	LED-8970lm-4000K-CRI 70	68 W	PERLA	6/10kV
424612-39	CLD CELL	5.80	LED-8494lm-3000K-CRI 70	69 W	PERLA	6/10kV
424610-2168	CLD CELL	5.50	LED-4411lm-4000K-CRI 70	35 W	GRAPHITE	6-10kV
424610-3968	CLD CELL	5.21	LED-4177lm-3000K-CRI 70	35 W	GRAPHITE	6-10kV
424612-2168	CLD CELL	5.50	LED-8970lm-4000K-CRI 70	69 W	GRAPHITE	6-10kV
424612-3968	CLD CELL	5.41	LED-8494lm-3000K-CRI 70	68 W	GRAPHITE	6-10kV

The reported luminous flux is the flux emitted by the light source with a tolerance of $\pm 10\%$ compared to the indicated value. The W tot column indicates the total wattage absorbed by the system without exceeding 10% of the indicated