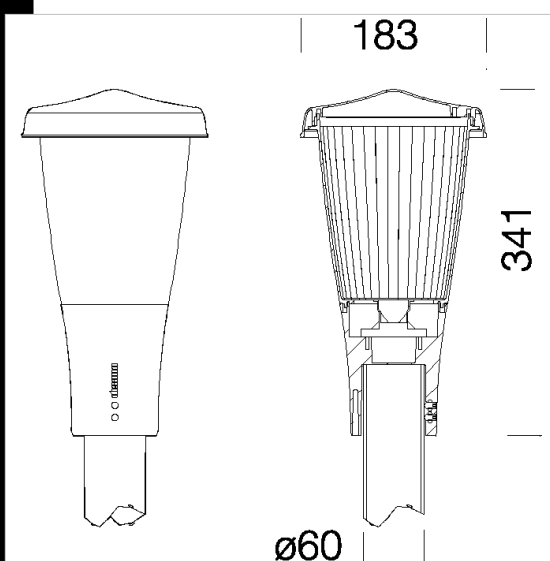


1759 Olbia 2 - LED

Housing/ Cap: in die-cast aluminium.
 Diffuser: in shatterproof and self-extinguishing V2 polycarbonate, UV-stabilized, smooth on the outside and fluted on the inside.
 Coating: the standard liquid immersion coating consists of a first metal surface pre-treatment stage, a successive epoxy cataphoresis corrosion and salt resistant coating, and a final layer of bi-component acrylic liquid UV-stabilised coating.
 Supplied with socket-pin connector for quick installation
 Regulations: Produced according to applicable EN60598-1 CEI 34-21 standards, degree of protection according to EN 60529 standards.
 Article available until stocks are exhausted

Download

- DXF 2D
- 1758.dxf
- 3DS
- disano_1759_olbia_2.3ds
- 3DM
- disano_1759_olbia_2.3dm
- Montaggi
- 1758-9_olbia.pdf
- BIM
- 1759 Olbia 2 - LED - 20200611.zip



Code	Gear	Kg	Lumen Output-K-CRI	WTot	Colour
424221-00	CLD	1,40	LED-597lm-3000K-CRI 80	10 W	GRAPHITE
424222-00	CLD	1,40	LED-597lm-3000K-CRI 80	10 W	GREEN

Pali



- 5 fiberglass pole

The reported luminous flux is the flux emitted by the light source with a tolerance of ± 10% compared to the indicated value. The W tot column indicates the total wattage absorbed by the system without exceeding 10% of the indicated