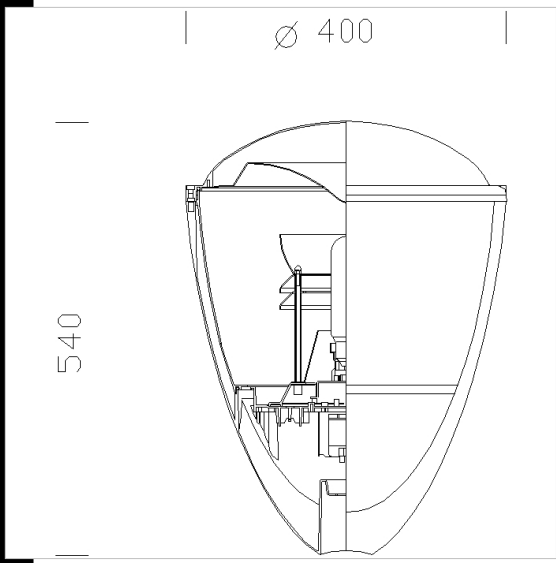


1765 Lanterna 1

HOUSING/FRAME: Die-cast aluminium.
COVER: Die-cast aluminium.
DIFFUSER: Vandal resistant, V2 self-extinguishing, UV-stabilised polycarbonate.
REFLECTOR: LIGHT POLLUTION PREVENTING OPTIC UNIT Upper part in 6/8 µ thick anodized, pressed 99.85 aluminium, polished for high luminous efficiency.
COATING: In several stages. First stage: black epoxy cationic electrocoating, resistant to corrosive and saline environments. Second stage: UV stabilising priming; lastly a rough finish with frosted silver paint, graphite or green.
LAMPHOLDER: Polycarbonate with phosphorous bronze contacts (FLC). Ceramic with silver-plated contacts
ELECTRIC GEAR: 230V/50Hz power supply with heat protection. Wire terminated with quick-connect admiralty brass clamps. Fibreglass braid insulation, cross-section: 1.0sqmm. 2P terminal block (maximum allowed lead cross-section of 4 sqmm.)
EQUIPMENT: 6.3A protection fuse. Rubber cable gland, Ø ½" gas thread
 For installation on Oliva arm acc. 301, use Ø 60 connection acc. 309.



Download
 DXF 2D
 - 1765.dxf
 Montaggi
 - lanterna.pdf

Code	Gear	Kg	Watt	Base	Lamps	Colour
424073-00	CNRL-F	5,79	SAP-T 70	E27	6000lm-2000K-Ra 4	GREEN
424067-00	CNRL-F	6,55	HCI-TT 150	E40	14500lm-3000K-Ra 1a	GRAPHITE
424068-00	CNRL-F	6,55	SAP-T 100	E40	9000lm-2000K-Ra 4	GRAPHITE
424063-00	CNRL-F	6,55	SAP-T 100	E40	9000lm-2000K-Ra 4	SANDBLASTED SILVER
424060-00	CNRL-F	5,79	SAP-T 70	E27	6000lm-2000K-Ra 4	SANDBLASTED SILVER
424079-00	CNRL-F	6,87	HCI-TT 150	E40	14500lm-3000K-Ra 1a	GREEN
424062-00	CNRL-F	6,55	HCI-TT 150	E40	14500lm-3000K-Ra 1a	SANDBLASTED SILVER
424065-00	CNRL-F	5,79	SAP-T 70	E27	6000lm-2000K-Ra 4	GRAPHITE
424074-00	CNRL-F	6,55	SAP-T 100	E40	9000lm-2000K-Ra 4	GREEN

Accessories

