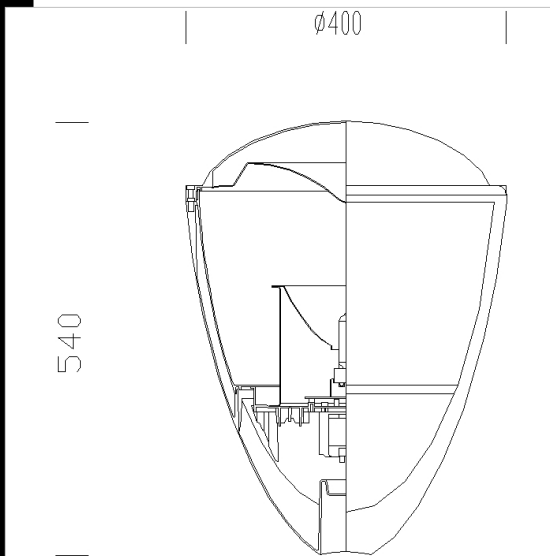


1764 Lanterna 1 - indirect light with glass

HOUSING/FRAME: Die-cast aluminium.  
 COVER: Die-cast aluminium.  
 DIFFUSER: Vandal resistant, V2 self-extinguishing, UV-stabilised polycarbonate.  
 REFLECTOR: Upper part in 6/8 μ thick anodized, pressed 99.85 aluminium, polished for high luminous efficiency. Lower part high-gloss plated.  
 COATING: the standard liquid immersion coating consists of a first metal surface pre-treatment stage, a successive epoxy cataphoresis corrosion and salt resistant coating, and a final layer of bi-component acrylic liquid UV-stabilised coating.  
 LAMPHOLDER: Ceramic with silver-plated contacts  
 ELECTRIC GEAR: 230V/50HzHz power supply with heat protection. Wire terminated with quick-connect admiralty brass clamps. Fibreglass braid insulation, cross-section: 1.0sqmm. 2P terminal block (maximum allowed lead cross-section of 4 sqmm.)  
 EQUIPMENT: 6.3A protection fuse. Rubber cable gland, Ø ½" gas thread  
 For installation on Oliva arm acc. 301, use diam. 60 connection acc. 309. Use acc. 308

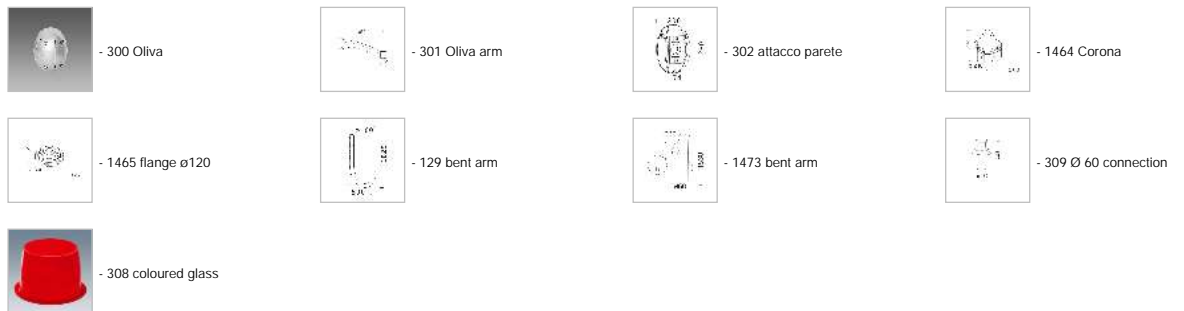


Download

- DXF 2D  
- 1763.dxf
- 3DS  
- disano\_1765\_lanterna\_1.3ds
- 3DM  
- disano\_1765\_lanterna\_1.3dm
- Montaggi  
- lanterna.pdf

Code	Gear	Kg	Lumen-K-CRI	WTot	Base	Colour
424044-00	CNR-L	5.65	JM-TS 70-5700lm-4000k-Ra 1b	92 W	Rx7s	GREY9007
424046-00	CNR-L	5.65	JM-TS 70-5700lm-4000k-Ra 1b	92 W	Rx7s	GRAPHITE

Accessories



The reported luminous flux is the flux emitted by the light source with a tolerance of ± 10% compared to the indicated value. The W tot column indicates the total wattage absorbed by the system without exceeding 10% of the indicated