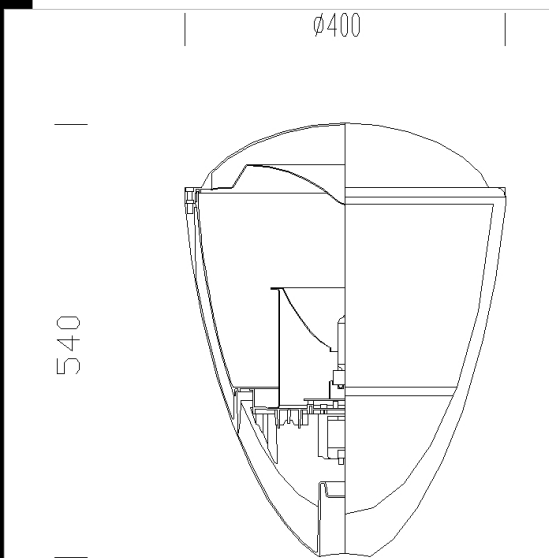


1763 Lanterna 1 - indirect light

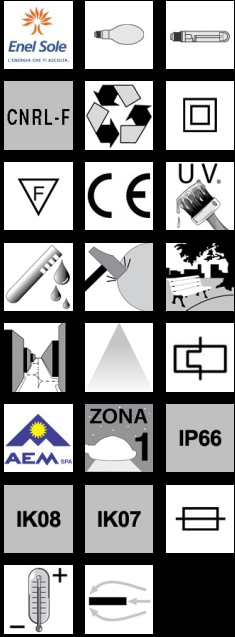
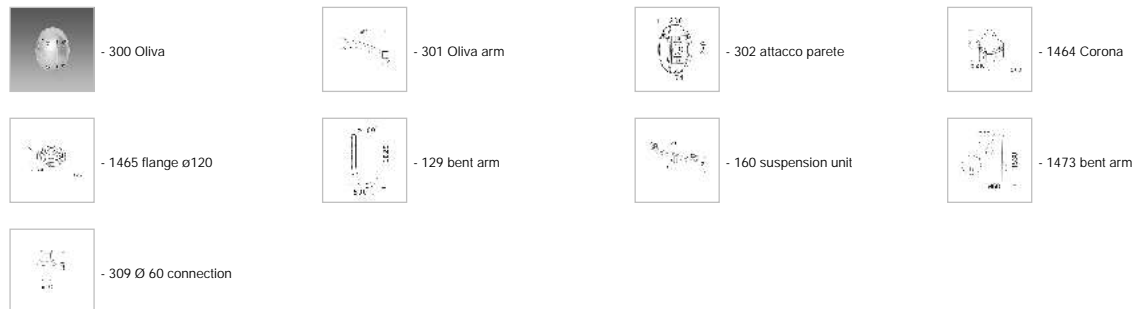


HOUSING/FRAME: Die-cast aluminium.
COVER: Die-cast aluminium.
DIFFUSER: Vandal resistant, V2 self-extinguishing, UV-stabilised polycarbonate.
REFLECTOR: Upper part in 6/8 µ thick anodized, pressed 99.85 aluminium, polished for high luminous efficiency. Lower part high-gloss plated.
COATING: the standard liquid immersion coating consists of a first metal surface pre-treatment stage, a successive epoxy cataphoresis corrosion and salt resistant coating, and a final layer of bi-component acrylic liquid UV-stabilised coating.
LAMPHOLDER: Polycarbonate with phosphorous bronze contacts (FLC). Ceramic with silver-plated contacts
ELECTRIC GEAR: 230V/50HzHz power supply with heat protection. Wire terminated with quick-connect admiralty brass clamps. Fibreglass braid insulation, cross-section: 1.0sqmm. 2P terminal block (maximum allowed lead cross-section of 4 sqmm.)
EQUIPMENT: 6.3A protection fuse. Rubber cable gland, Ø ½" gas thread
 For installation on Oliva arm acc. 301, use Æ 60 connection acc. 309.



Code	Gear	Kg	Lumen-K-CRI	WTot	Base	Colour
424043-00	CNRL-F	5.80	CDM-T 150-12700lm-4200k-Ra 2a	166 W	G12	GRAPHITE
424041-00	CNRL-F	5.80		166 W		GREY9007

Accessories



Download

- DXF 2D
- 1763.dxf
- 3DS
- disano_1764_lanterna_1.3ds
- 3DM
- disano_1764_lanterna_1.3dm
- Montaggi
- e066_lant_doppia_su_ananas.dxf
- e066_lant_oliva_doppio_su.dxf
- e066_lant_corona_doppio_su_bis.dxf
- e066_lant_corona_doppio_su.dxf
- lanterna.pdf

The reported luminous flux is the flux emitted by the light source with a tolerance of ± 10% compared to the indicated value. The W tot column indicates the total wattage absorbed by the system without exceeding 10% of the indicated