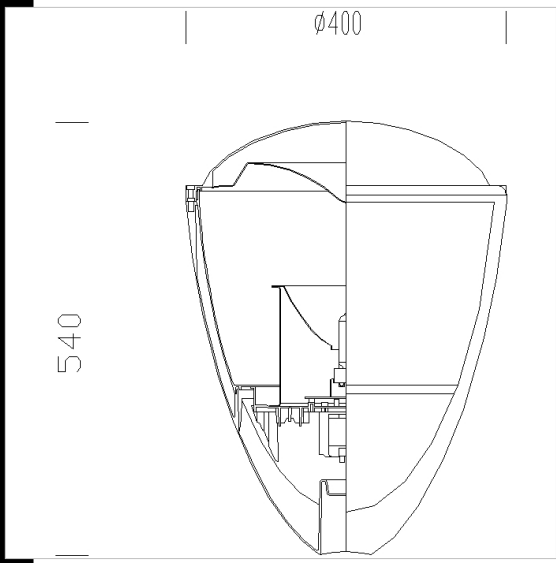


1763 Lanterna 1 - indirect light

HOUSING/FRAME: Die-cast aluminium.  
 COVER: Die-cast aluminium.  
 DIFFUSER: Vandal resistant, V2 self-extinguishing, UV-stabilised polycarbonate.  
 REFLECTOR: Upper part in 6/8 µ thick anodized, pressed 99.85 aluminium, polished for high luminous efficiency. Lower part high-gloss plated.  
 COATING: In several stages. First stage: black epoxy cationic electrocoating, resistant to corrosive and saline environments. Second stage: UV stabilising priming; lastly a rough finish with frosted silver paint.  
 LAMPHOLDER: Polycarbonate with phosphorous bronze contacts (FLC). Ceramic with silver-plated contacts  
 ELECTRIC GEAR: 230V/50Hz power supply with heat protection. Wire terminated with quick-connect admiralty brass clamps. Fibreglass braid insulation, cross-section: 1.0sqmm. 2P terminal block (maximum allowed lead cross-section of 4 sqmm.)  
 EQUIPMENT: 6.3A protection fuse. Rubber cable gland, Ø ½" gas thread  
 For installation on Oliva arm acc. 301, use Æ 60 connection acc. 309.



**Download**  
 DXF 2D  
 - 1763.dxf  
 3DS  
 - disano\_1764\_lanterna\_1.3ds  
 3DM  
 - disano\_1764\_lanterna\_1.3dm  
 Montaggi  
 - e066\_lant\_corona\_doppio\_su\_bis.dxf  
 - e066\_lant\_corona\_doppio\_su.dxf  
 - e066\_lant\_doppia\_su\_ananas.dxf  
 - e066\_lant\_oliva\_doppio\_su.dxf  
 - lanterna.pdf

Code	Gear	Kg	Watt	Base	Lamps	Colour
424040-00	CNRL-F	0,00	CDM-T 70	G12	6600lm-4200k-Ra 1b	
424043-00	CNRL-F	5,80	CDM-T 150	G12	12700lm-4200k-Ra 2a	GRAPHITE

**Accessories**

