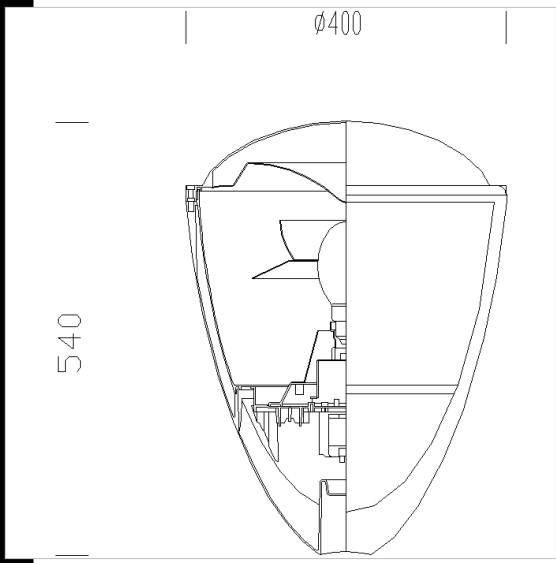


1762 Lanterna 1

HOUSING/FRAME: Die-cast aluminium.
COVER: Die-cast aluminium.
DIFFUSER: Vandal resistant, V2 self-extinguishing, UV-stabilised polycarbonate.
REFLECTOR: LIGHT POLLUTION PREVENTING OPTIC UNIT Upper part in 6/8 µ thick anodized, pressed 99.85 aluminium, polished for high luminous efficiency.
COATING: In several stages. First stage: black epoxy cationic electrocoating, resistant to corrosive and saline environments. Second stage: UV stabilising priming; lastly a rough finish with frosted silver paint.
LAMPHOLDER: Polycarbonate with phosphorous bronze contacts (FLC). Ceramic with silver-plated contacts
ELECTRIC GEAR: 230V/50HzHz power supply with heat protection. Wire terminated with quick-connect admiralty brass clamps. Fibreglass braid insulation, cross-section: 1.0sqmm. 2P terminal block (maximum allowed lead cross-section of 4 sqmm.)
EQUIPMENT: 6.3A protection fuse. Rubber cable gland, Ø ½" gas thread
 For installation on Oliva arm acc. 301, use Ø 60 connection acc. 309.



Download
 DXF 2D
 - 1762.dxf
 3DS
 - disano_1762_lanterna_1.3ds
 3DM
 - disano_1762_lanterna_1.3dm
 Montaggi
 - e066_lant_corona_doppio_su_bis.dxf
 - e066_lant_oliva_doppio_su.dxf
 - lanterna.pdf
 - e066_lant_su_ananas_stANDARD.dxf

Code	Gear	Kg	Watt	Base	Lamps	Colour
424032-00	CNRL-F	5,80	JM-E 70	E27	5300lm-3200K-Ra 1b	SANDBLASTED SILVER
424038-00	CNRL-F	5,90	JM-E 100 pol	E27	8500lm-3200K-Ra 70	GRAPHITE
424035-00	CNRL-F	5,80	SAP-E 70	E27	5600lm-2000K-Ra 4	GRAPHITE
424037-00	CNRL-F	5,80	JM-E 70	E27	5300lm-3200K-Ra 1b	GRAPHITE
424034-00	CNRL-F	5,80	SAP-E 70	E27	5600lm-2000K-Ra 4	SANDBLASTED SILVER
424033-00	CNRL-F	5,90	JM-E 100 pol	E27	8500lm-3200K-Ra 70	SANDBLASTED SILVER

Accessories

