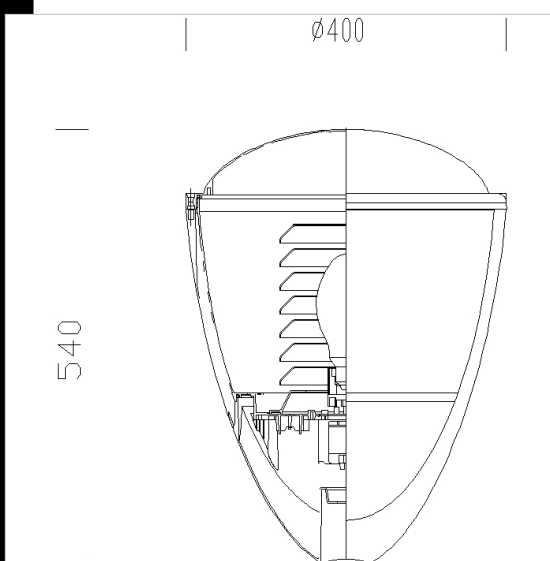




Download

- DXF 2D
- 1760.dxf
- 3DS
- disano_1760_lanterna_1.3ds
- 3DM
- disano_1760_lanterna_1.3dm
- Montaggi
- e066_lant_corona_doppio_su.dxf
- e066_lant_doppia_su_ananas.dxf
- e066_lant_oliva_doppio_su.dxf
- lanterna.pdf

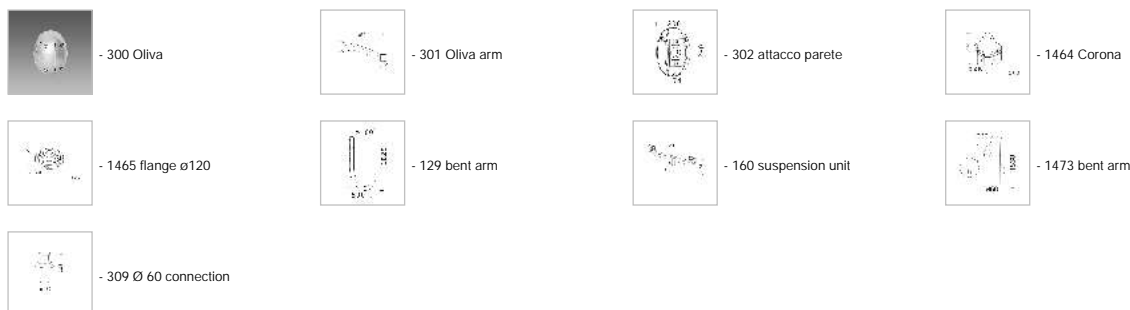


1760 Lanterna 1 - with louvre

HOUSING/FRAME: Die-cast aluminium.
 COVER: Die-cast aluminium.
 DIFFUSER: Vandal resistant, V2 self-extinguishing, UV-stabilised polycarbonate.
 REFLECTOR: LIGHT POLLUTION PREVENTING OPTIC UNIT with louvre
 COATING: the standard liquid immersion coating consists of a first metal surface pre-treatment stage, a successive epoxy cataphoresis corrosion and salt resistant coating, and a final layer of bi-component acrylic liquid UV-stabilised coating.
 LAMPHOLDER: Polycarbonate with phosphorous bronze contacts (FLC). Ceramic with silver-plated contacts
 ELECTRIC GEAR: 230V/50HzHz power supply with heat protection. Wire terminated with quick-connect admiralty brass clamps. Fibreglass braid insulation, cross-section: 1.0sqmm. 2P terminal block (maximum allowed lead cross-section of 4 sqmm.)
 EQUIPMENT: 6.3A protection fuse. Rubber cable gland, Ø ½" gas thread
 For installation on Oliva arm acc. 301, use Æ 60 connection acc. 309.

Code	Gear	Kg	Lumen-K-CRI	WTot	Base	Colour
424010-00	CNRL-F	5.87	SAP-E 70-5600lm-2000K-Ra 4	83 W	E27	GREY9007
424017-00	CNRL-F	5.97	JM-E 100-9000lm-3200K-Ra 2a	114 W	E27	GRAPHITE
424015-00	CNRL-F	5.87	SAP-E 70-5600lm-2000K-Ra 4	83 W	E27	GRAPHITE
424018-00	CELL	4.50	FLC 1x42T/E-3200lm-4000K-Ra 1b	44 W	Gx24q-4	GRAPHITE
424013-00	CELL	4.50	FLC 1x42T/E-3200lm-4000K-Ra 1b	44 W	Gx24q-4	GREY9007
424012-00	CNRL-F	5.97	JM-E 100-9000lm-3200K-Ra 2a	114 W	E27	GREY9007

Accessories



The reported luminous flux is the flux emitted by the light source with a tolerance of ± 10% compared to the indicated value. The W tot column indicates the total wattage absorbed by the system without exceeding 10% of the indicated