

3752 Metropolis - LED

HOUSING: in die-cast aluminium with revolving bracket and fastening clamp for Ø 60 pole.

COVER: in die-cast aluminium with hinged opening.

Equipped with aluminium sealing latches and safety device against accidental opening.

DIFFUSER: tempered glass, 4 mm thick, resistant to thermal shock and impacts (UNI EN 12150-1: 2001).

OPTICS: combined optical system made in high performance PMMA, resistant to high temperatures and UV radiation.

COATING: the standard liquid immersion coating consists of a first metal surface pre-treatment stage, a successive epoxy cataphoresis corrosion and salt resistant coating, and a final layer of bi-component acrylic liquid UV-stabilised coating.

EQUIPMENT: rotating bracket with goniometric scale to adjust the housing. This product comes with an insulation switch and a built-in automatic temperature control device with automatic reset. Equipped with an electronic device to protect the LED module.

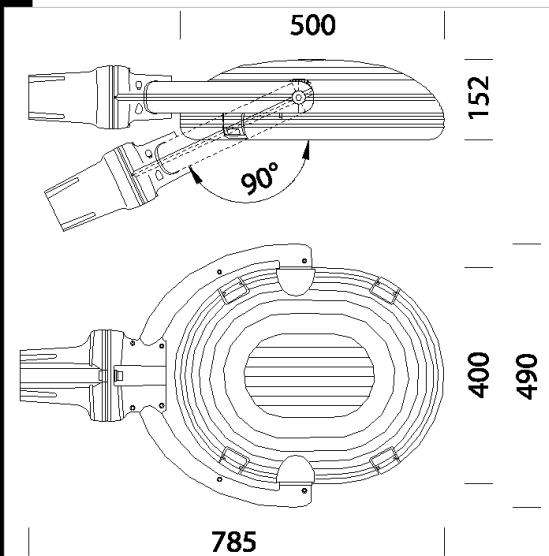
STANDARDS: manufactured pursuant to EN 60598 and with an IP65K08 degree of protection pursuant to EN 60529. Insulation class 2.

At request: variety of colours with metallic finish.

Surface exposed to wind: L:927cm² F:580cm².

Ta-30 + 40°C. - Low flicker - Surge protector 6/8Kv

With a 80% flux maintenance after 80%: >100.000h (L80B10). Photobiological safety: exempt group. Power factor: 0.9.

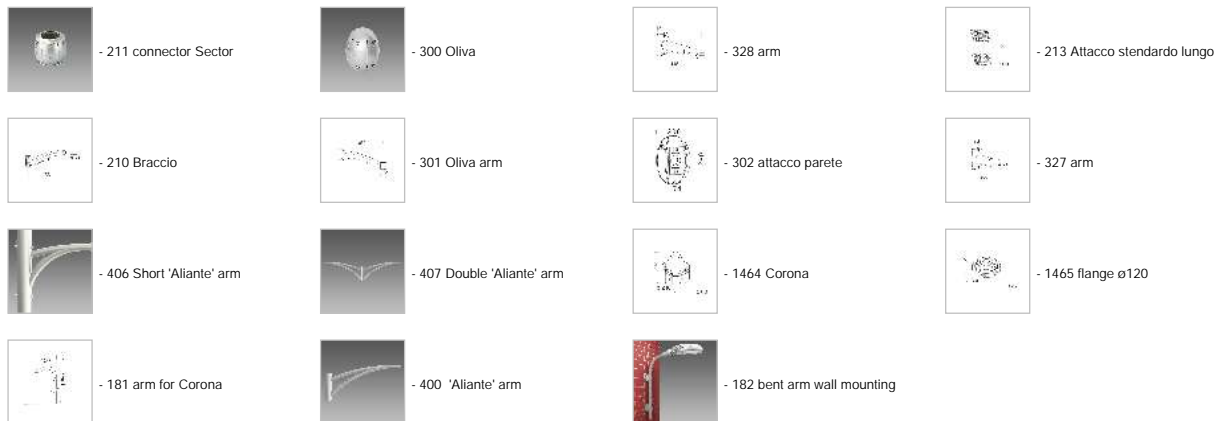


download

- DXF 2D
- 3751.dxf
- 3DS
- disano_3752_metropolis.3ds
- 3DM
- disano_3752_metropolis.3dm

catalogo.codice	catalogo.cablaggio	kg	catalogo.watt	catalogo.attacco	catalogo.lampade	catalogo.colore
423641-00	CLD CELL	13.22	LED		11408lm-700mA-4000K-CRI>70	GREY9007
423640-00	CLD CELL	14.10	LED		8556lm-700mA-4000K-CRI 70	GREY9007

catalogo.accessori



catalogo.pali

