

3751 Metropolis - LED - wide beam

HOUSING: in die-cast aluminium with revolving bracket and fastening clamp for Ø 60 pole.

COVER: in die-cast aluminium with hinged opening.

Equipped with aluminium sealing latches and safety device against accidental opening.

DIFFUSER: tempered glass, 4 mm thick, resistant to thermal shock and impacts (UNI EN 12150-1: 2001).

COATING: the standard liquid immersion coating consists of a first metal surface pre-treatment stage, a successive epoxy cataphoresis corrosion and salt resistant coating, and a final layer of bi-component acrylic liquid UV-stabilised coating.

EQUIPMENT: rotating bracket with goniometric scale to adjust the housing. This product comes with an insulation switch and a built-in automatic temperature control device with automatic reset. Equipped with an electronic device to protect the LED module.

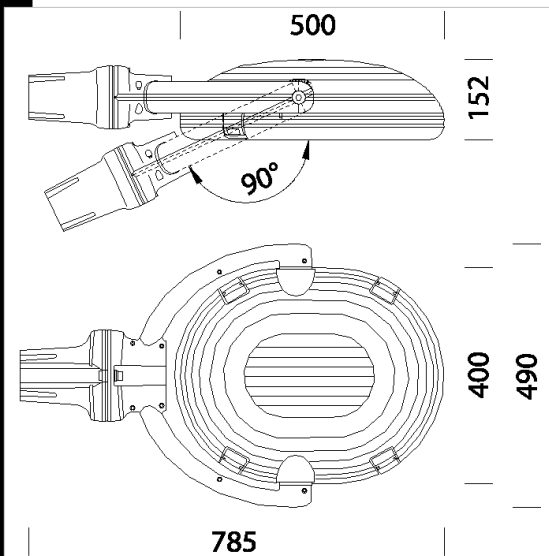
STANDARDS: manufactured pursuant to EN 60598 and with an IP65K08 degree of protection pursuant to EN 60529. Insulation class 2.

At request: variety of colours with metallic finish.

Surface exposed to wind: L:927cm² F:580cm².

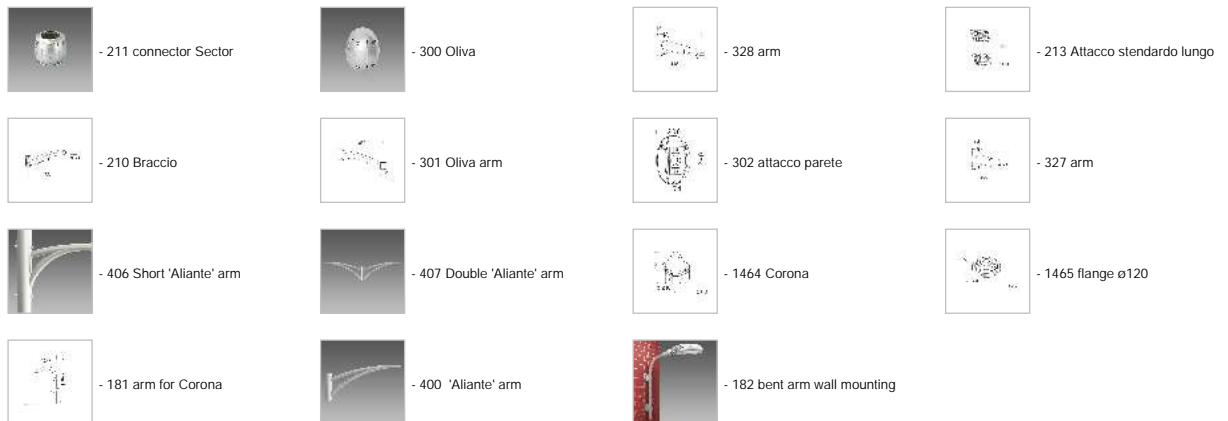
Ta-20 + 40°C. - Low flicker - Surge protector 10Kv

With a 80% flux maintenance after 50000 hrs (L80B20). Photobiological safety: exempt group. Power factor: >= 0.9.



Code	Gear	Kg	Lumen Output-K-CRI	WTot	Colour	Surge
423630-00	CLD CELL	11.79	LED-8506lm-1400mA-4000K-CRI 90	82 W	GREY9007	2/4kV
423630-73	CLD CELL	11.66	LED COB AMBER-6375lm-2200K-amber-	57 W	GREY9007	2/4kV

Accessories



Posts



The reported luminous flux is the flux emitted by the light source with a tolerance of ± 10% compared to the indicated value. The W tot column indicates the total wattage absorbed by the system without exceeding 10% of the indicated