



Download
 DXF 2D
 - 1777-79.dxf
 3DS
 - disano_1777_musa.3ds
 3DM
 - disano_1777_musa.3dm
 Montaggi
 - musa.pdf
 - 1777_piastra_led.dxf
 BIM
 - 1777 Musa LED bike trails - pedestrian - 20200611.zip



1777 Musa LED bike trails - pedestrian

Musa was the Goddess who inspired Greek mythology, and this lighting fitting illuminates in the same way, inspiring numerous decorative and non-decorative functions.

Musa is able to blend into the space almost like a physical presence with its sleek design, which is vaguely anthropomorphic; always able to create new atmospheres and highly refined lighting solutions. To the observer's eye Musa looks like a human figure with head bowed, immersed in the green area.

HOUSING/FRAME: Made of die-cast aluminium.

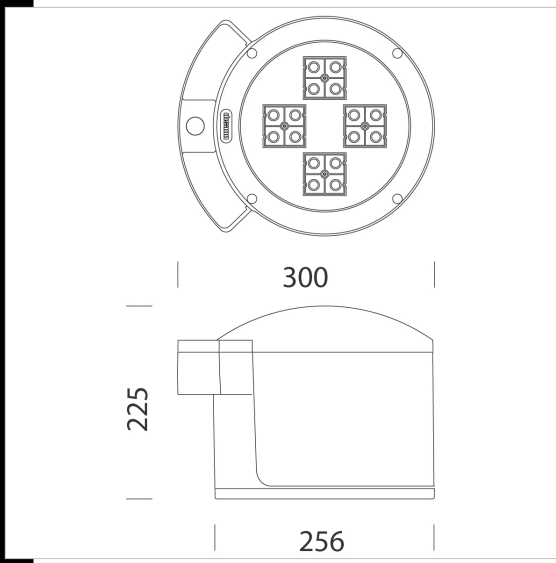
GLASS: Tempered glass 4 mm, resistant to impact and thermal shock (UNI 12150-1: 2001 tests: 2001).

COATING: the standard liquid immersion coating consists of a first metal surface pre-treatment stage, a successive epoxy cataphoresis corrosion and salt resistant coating, and a final layer of bi-component acrylic liquid UV-stabilised coating.

EQUIPMENT: Environment-friendly gasket. These lighting fixtures also come with an automatic control temperature device, which protects the LEDs from peak current through a protection diode.

REGULATIONS: Manufactured in accordance with EN 60598-CEI 34-21 standards. Degree of protection in accordance with EN 60529 standards.

Ta-20+40°C life 80% 80.000h L80B20. Photobiological safety class: exempt group EN62471.



Code	Gear	Kg	Lumen Output-K-CRI	WTot	Colour	Surge
423547-00	CLD	4.50	LED-2850lm-4000K-CRI 70	0 W	GREY9007/GRAF	10kV

Accessories



- 364 mono pole connection



- 365 double pole connection



- 366 wall support

Posts



- 1408 fluted ø100 pole with base



- 5 fiberglass pole



- 1409 fluted pole ø100

The reported luminous flux is the flux emitted by the light source with a tolerance of ± 10% compared to the indicated value. The W tot column indicates the total wattage absorbed by the system without exceeding 10% of the indicated