

1793 Musa - high beam low column

Musa was the Goddess who inspired Greek mythology, and this lighting fitting illuminates in the same way, inspiring numerous decorative and non-decorative functions.

Musa is able to blend into the space almost like a physical presence with its sleek design, which is vaguely anthropomorphic; always able to create new atmospheres and highly refined lighting solutions. To the observer's eye Musa looks like a human figure with head bowed, immersed in the green area.

HOUSING/FRAME: Made of die-cast aluminium. Extruded aluminum column and base with anchor bolts to recessed

REFLECTOR: polished hammered aluminium 99.9.

GLASS: Tempered glass 4 mm, resistant to impact and thermal shock (UNI 12150-1: 2001 tests: 2001).

COATING: the standard liquid immersion coating consists of a first metal surface pre-treatment stage, a successive epoxy cataphoresis corrosion and salt resistant coating, and a final layer of bi-component acrylic liquid UV-stabilised coating.

LAMPHOLDER: Ceramic with silver-plated contacts.

ELECTRIC GEAR: 230V-50Hz power supply with heat protection. Flexible wire terminated with quick-connect admiralty brass clamps; silicone insulation; cross-section: 1 sqmm . 2P nylon terminal block (maximum allowed lead cross-section: 2.5 sqmm).

During maintenance the frame stays attached on hinges against accidental opening. Environment-friendly gasket.

REGULATIONS: Manufactured in accordance with EN 60598-CEI 34-21 standards. Degree of protection in accordance with EN 60529 standards.

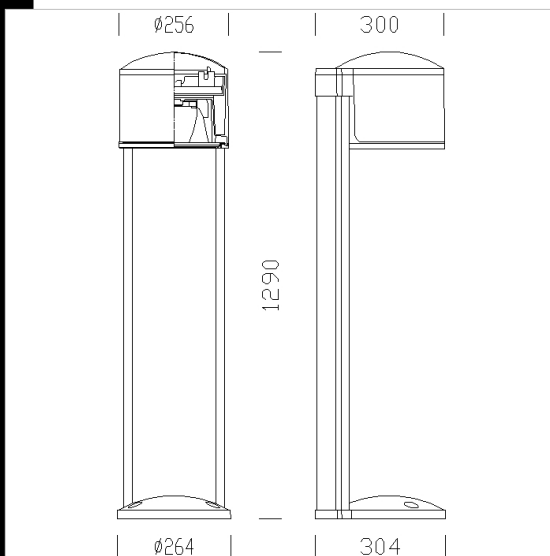
Download

DXF 2D
- 1792_1793.dxf

3DS
- disano_1793_musa.3ds

3DM
- disano_1793_musa.3dm

Montaggi
- musa.pdf



Code	Gear	Kg	Lumen-K-CRI	WTot	Base	Colour
423531-00	CNR-L	12.30	CDO-TT 70-6300lm-2800K-Ra 83	83 W	E27	GREY9007/GRAF
423532-00	CELL	11.00	FLC 1x26D/E-1800lm-4000K-Ra 1b	32 W	G24q-3	GREY9007/GRAF
423533-00	CELL	11.04	FLC 1x42T/E-3200lm-4000K-Ra 1b	44 W	Gx24q-4	GREY9007/GRAF

The reported luminous flux is the flux emitted by the light source with a tolerance of $\pm 10\%$ compared to the indicated value. The W tot column indicates the total wattage absorbed by the system without exceeding 10% of the indicated