

1781 Aura - pedestrian/cycleways

The expectations connected with the application of high efficiency LED technology to street lighting stimulate the production of luminaires specifically designed for the use of these light sources. Aura shows that these new light sources enable to design new shapes that are far removed from traditional lampposts.

Housing/Frame: in die-cast aluminium.

Diffuser: in V2 self-extinguishing, UV stabilized, clear polycarbonate.

Optics: optics made of PMMA with high temperature resistance and UV rays.

Coating: the standard powder coating consists of a first metal surface pre-treatment stage and of single layer of UV-stabilised, corrosion and salt resistant polyester powder coating.

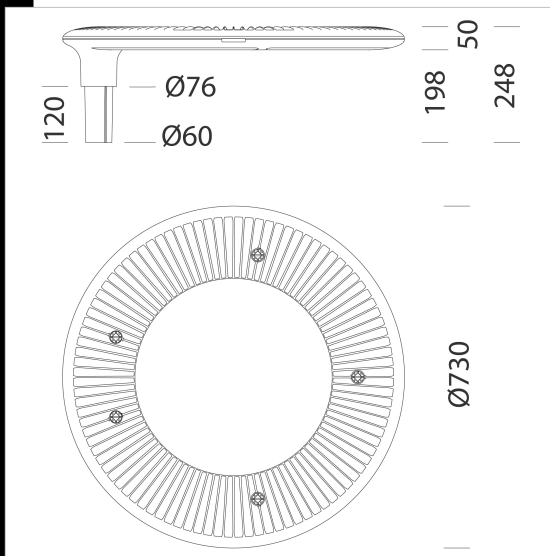
Equipment: Socket-pin connector for quick connection to the line. Safety diode to protect against voltage peaks pursuant to EN61547. Dedicated electronic device to protect the LED module. Complete the electric gear, with plug for connection to mains supply, is supplied with the product. To be inside arm or pole

Ta-20+40°C life 80%: >100.000h (L80B10).

Photobiological safety class: exempt group

Regulations: Produced according to applicable EN60598-1 CEI 34-21 standards, degree of protection according to EN 60529 standards.

On request IP66 version



Code	Gear	Kg	Lumen Output-K-CRI	WTot	Colour	Surge
423280-00	CLD	8,50	LED-2905lm-4000K-CRI 70	21 W	GREY9007	4/6kV
423281-00	CLD	8,50	LED-2905lm-4000K-CRI 70	21 W	GRAPHITE	4/6kV
423280-39	CLD	8,50	LED-2715lm-3000K-CRI 70	21 W	GREY9007	4/6kV
423281-39	CLD	8,50	LED-2715lm-3000K-CRI 70	21 W	GRAPHITE	4/6kV

Accessori



- 513 Double arm



- 532 Double arm

The reported luminous flux is the flux emitted by the light source with a tolerance of $\pm 10\%$ compared to the indicated value. The W tot column indicates the total wattage absorbed by the system without exceeding 10% of the indicated