



## 1786 Aura - rosymmetrical

The expectations connected with the application of high efficiency LED technology to street lighting stimulate the production of luminaires specifically designed for the use of these light sources. Aura shows that these new light sources enable to design new shapes that are far removed from traditional lampposts.

Housing/Frame: in die-cast aluminium.

Diffuser: in V2 self-extinguishing, UV stabilized, clear polycarbonate.

Optics: optics made of PMMA with high temperature resistance and UV rays.

Coating: the standard powder coating consists of a first metal surface pre-treatment stage and of single layer of UV-stabilised, corrosion and salt resistant polyester powder coating.

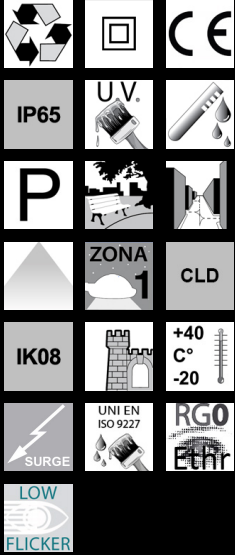
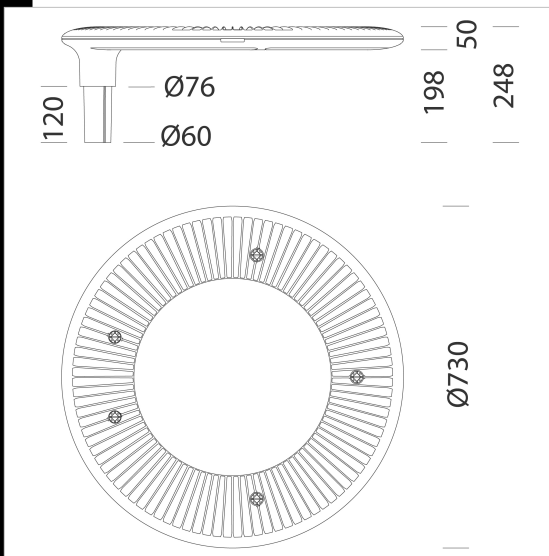
Equipment: Socket-pin connector for quick connection to the line. Safety diode to protect against voltage peaks pursuant to EN61547. Dedicated electronic device to protect the LED module. Complete the electric gear, with plug for connection to mains supply, is supplied with the product. To be inside arm or pole

Ta-20+40°C life 80%: >100.000h (L80B10).

Photobiological safety class: exempt group

Regulations: Produced according to applicable EN60598-1 CEI 34-21 standards, degree of protection according to EN 60529 standards.

On request IP66 version



### Download

- DXF 2D  
- aura21.dxf
- 3DS  
- disano\_1786\_aura.3ds
- 3DM  
- disano\_1786\_aura.3dm
- Montaggi  
- 1786\_aura\_led.pdf  
- 1786\_aura\_02\_11\_10.dxf  
- istr\_acc\_513.dxf  
- acc.532 doppio.dxf  
- 1786\_aura\_02\_11\_10.dxf  
- istr\_acc\_513.dxf  
- acc.532 doppio.dxf
- BIM  
- 1786 Aura - LED - 20200604.zip

Code	Gear	Kg	Lumen Output-K-CRI	WTot	Colour	Surge
423278-00	CLD	8.50	LED-4200lm-4000K-CRI 70	30 W	GREY9007	4/6kV
423279-00	CLD	8.50	LED-4200lm-4000K-CRI 70	30 W	GRAPHITE	4/6kV
423278-39	CLD	8.27	LED-3924lm-3000K-CRI 70	30 W	GREY9007	4/6kV
423279-39	CLD	8.50	LED-3924lm-3000K-CRI 70	30 W	GRAPHITE	4/6kV
423270-00	CLD	8.50	LED-7242lm-4000K-CRI 70	74 W	GREY9007	10/10kV
423271-00	CLD	8.50	LED-7242lm-4000K-CRI 70	74 W	GRAPHITE	10/10kV
423270-39	CLD	8.50	LED-6768lm-3000K-CRI 70	56 W	GREY9007	10/10kV
423271-39	CLD CELL	8.37	LED-6768lm-3000K-CRI 70	56 W	GRAPHITE	10/10kV
423274-00	CLD CELL	9.40	LED-9170lm-4000K-CRI 70	74 W	GREY9007	10/10kV
423277-00	CLD CELL	8.50	LED-9170lm-4000K-CRI 70	74 W	GRAPHITE	10/10kV
423274-39	CLD CELL	8.50	LED-8528lm-3000K-CRI 70	74 W	GREY9007	10/10kV
423277-39	CLD CELL	8.50	LED-8528lm-3000K-CRI 70	74 W	GRAPHITE	10/10kV

### Accessories



- 513 bent arm for Aura



- 532 Double arm

### Posts



- 1441 poles to be sunk into the ground



- 1440 Poles with base

The reported luminous flux is the flux emitted by the light source with a tolerance of ± 10% compared to the indicated value. The W tot column indicates the total wattage absorbed by the system without exceeding 10% of the indicated