

1707 Torcia LED

Housing/cover: die cast aluminium.
Diffuser: Shatterproof and self-extinguishing polycarbonate V2, stabilised against UV rays.

Painting: the standard liquid immersion coating consists of a first metal surface pre-treatment stage, a successive epoxy cataphoresis corrosion and salt resistant coating, and a final layer of bi-component acrylic liquid UV-stabilised coating.

Complete with: fast connection cable

Standard supply: temperature control device inside the lamp with automatic recovery. Safety diode to protect against voltage peaks pursuant to EN61547. Dedicated electronic device to protect the LED module.

Mounting: On pole Ø 60 mm or arm.

Regulations: Produced according to applicable EN60598-1 CEI 34-21 standards, degree of protection according to EN 60529 standards.

Ta-20 +40°C life 80%: 80.000h (L80B20). Photobiological safety class: exempt group EN62471.

Advanced Prog (PROG CLD wiring): luminaires made to meet specific technological needs and designed, as standard, to integrate special functions to ensure high energy-savings, customization options and versatility of use in many applications (e.g. installation with dimmers or emergency supply). These functions are already available on standard products and must be enabled on request. These products do not require any modification to the entire system because the lamp only needs to be connected to mains power supply (no pilot cable and/or control bus required).

operating mode

Luminous flux setup: This can be done by programming the drive current values requested when ordering/purchasing the fixture.

Virtual Midnight, order with subcode -30: Stand-alone system with automatic luminous flux reduction in 4 steps (up to max 8 steps available upon request).

Broadcast Prog: This allows the reconfiguration of the Virtual Midnight profile, including the enabling/disabling of all the fixtures installed on the same power line (broadcast function) via a sequence of electrical impulses.

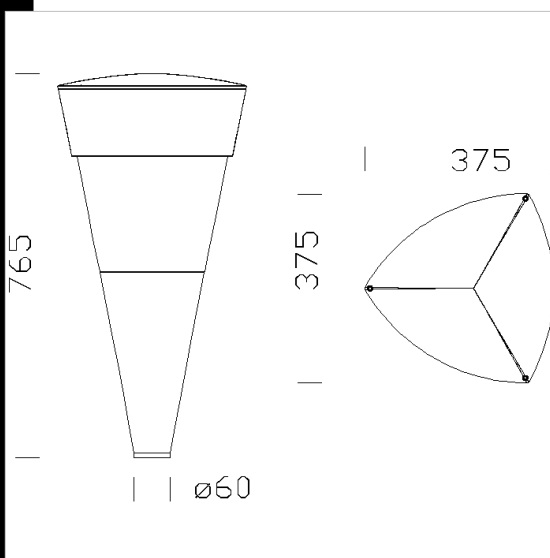
Mains voltage regulation: This allows varying the luminous flux by adjusting the mains voltage between 170 and 250 V AC.

CLO (Constant Light Output): The lighting fixture maintains a constant light output throughout its entire service life.

DC power in EM: In centralized emergency systems, the LED Driver automatically detects when the power changes from AC to DC and adjusts the lights to a pre-set value (DC level).

Monitoring (default): The driver is equipped with a micro-processor that records the operating conditions from the moment it is turned on.

Setup via APP: The NFC technology allows users to set the different operating modes via an APP.

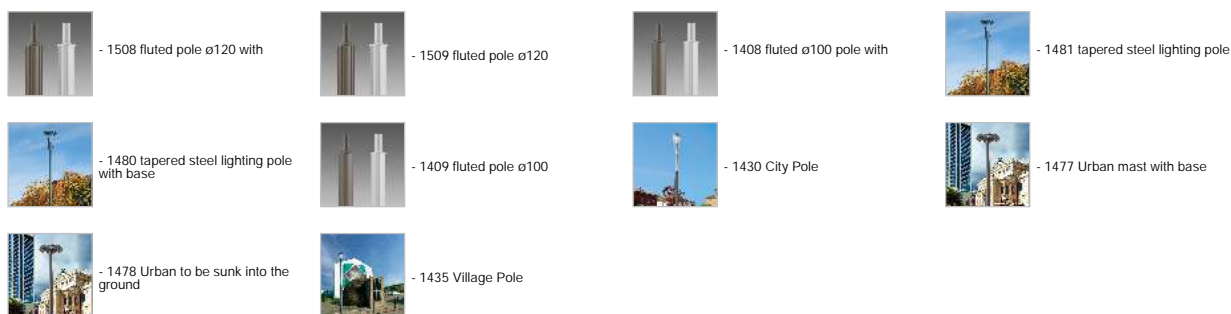


Download

- DXF 2D
- 1707.dxf
- 3DS
- disano_1707_torcia.3ds
- 3DM
- disano_1707_torcia.3dm
- Montaggi
- torcia led 07-20.pdf
- BIM
- 1707 Torcia LED - 20200616.zip

Code	Gear	Kg	Lumen Output-K-CRI	WTot	Colour	Surge
423253-00	CLD	7,74	LED-4600lm-4000K-CRI>70	35 W	GRAPHITE	10kV
423252-00	CLD	7,70	LED-4600lm-4000K-CRI>70	35 W	GREY9007	10kV
423253-39	CLD	7,62	LED-4278lm-3000K-CRI>70	35 W	GRAPHITE	10kV
423252-39	CLD	8,70	LED-4278lm-3000K-CRI>70	35 W	GREY9007	10kV

Pali



The reported luminous flux is the flux emitted by the light source with a tolerance of ± 10% compared to the indicated value. The W tot column indicates the total wattage absorbed by the system without exceeding 10% of the indicated