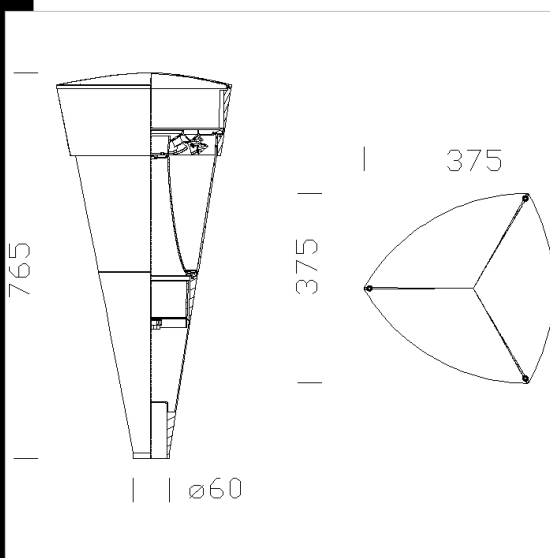


1513 Torcia LED COB

Housing/cover: die cast aluminium.
 Diffuser: Shatterproof and self-extinguishing polycarbonate V2, stabilised against UV rays.
 Painting: the standard liquid immersion coating consists of a first metal surface pre-treatment stage, a successive epoxy cathaphoresis corrosion and salt resistant coating, and a final layer of bi-component acrylic liquid UV-stabilised coating.
 Complete with: fast connection cable
 Standard supply: temperature control device inside the lamp with automatic recovery. Safety diode to protect against voltage peaks pursuant to EN61547. Dedicated electronic device to protect the LED module. Standard knife switch.
 Mounting: On pole \varnothing 60 mm or arm.
 Ta-20+40°C
 life 80%: 50.000h (L80B20). Photobiological safety class: exempt group EN62471.
 Regulations: Produced according to applicable EN60598-1 CEI 34-21 standards, degree of protection according to EN 60529 standards.

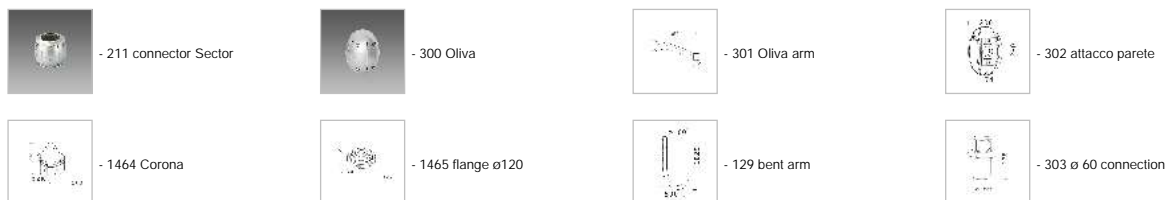


Download

- DXF 2D
- 1513i.dxf
- 3DS
- disano_1513_torcia.3ds
- 3DM
- disano_1513_torcia.3dm
- Montaggi
- torcia led 07-20.pdf
- BIM
- 1513 Torcia LED COB - 20200616.zip

Code	Gear	Kg	Lumen Output-K-CRI	WTot	Colour	Surge
423250-00	CLD	7,40	LED COB-5060lm-4000K-CRI80	53 W	GREY9007	10kV
423251-00	CLD	7,40	LED COB-5060lm-4000K-CRI80	53 W	GRAPHITE	10kV
423250-0016	CLD	7,40	LED COB-4048lm-4000K-CRI80	53 W	GREY9007	10kV
423251-0016	CLD	7,40	LED COB-4048lm-4000K-CRI80	53 W	GRAPHITE	10kV
423250-39	CLD CELL	7,71	LED COB-4706lm-3000K-CRI80	53 W	GREY9007	10kV
423251-39	CLD CELL	7,40	LED COB-4706lm-3000K-CRI80	60 W	GRAPHITE	10kV
423250-3916	CLD CELL	7,20	LED COB-3765lm-3000K-CRI80	53 W	GREY9007	10kV
423251-3916	CLD CELL	7,16	LED COB-3765lm-3000K-CRI80	59 W	GRAPHITE	10kV

Accessori



Pali



The reported luminous flux is the flux emitted by the light source with a tolerance of \pm 10% compared to the indicated value. The W tot column indicates the total wattage absorbed by the system without exceeding 10% of the indicated

1513 Torcia LED COB

Pall



- 1478 Urban to be sunk into the ground



- 1435 Village Pole

The reported luminous flux is the flux emitted by the light source with a tolerance of $\pm 10\%$ compared to the indicated value. The W tot column indicates the total wattage absorbed by the system without exceeding 10% of the indicated