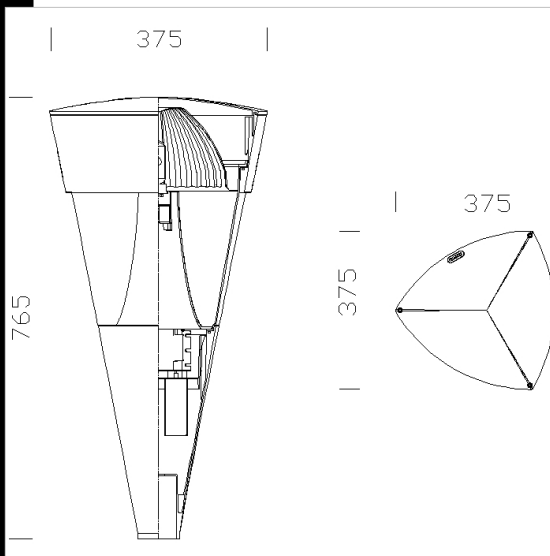


1511 Torcia against light pollution

Housing/cover: die cast aluminium.
 Reflector: 99.85 moulded, anodically oxidised aluminium, thickness: 6/8 and polished.
 Diffuser: Shatterproof and self-extinguishing polycarbonate V2, stabilised against UV rays. With flat, hardened glass in versions without cap.
 Painting: In several stages. epoxy cationic electrocoating, resistant to corrosive and saline environments, UV stabilising priming; lastly a rough finish with frosted silver or graphite paint.
 Lampholder: in ceramic material and with silver-plated contacts.
 Wiring: 230V/50Hz power supply with heat protection. Flexible cable, terminated with tin-plated brass tips, silicon insulation with 1.0 mm² cross-section. 2P terminal strip with maximum permitted cross-section of conductors: 2.5 mm².
 Complete with: fast connection.
 Equipment: Wall or Ø 60 pole mounting. Gasket made using ecological material. Complete with 2.5 mm² socket-pin connector. The upper cover remains attached during the lamp change operation by means of a steel safety lanyard. Cable gland with ø9 minimum and ø12 mm maximum entry cable, complete with locking ring.
 Standards: Products in compliance with current EN 60598 standards, with protection class in accordance with EN 60529 standards.
 Complete with socket-pin connector. Cable gland with ø9 minimum and ø12 mm maximum entry cable, complete with locking ring.
 Torcia is already available with white light lamps (CPO-TW)
 "A new urban lighting concept that uses white light: white light clearly offers numerous advantages in terms of chromatic yield, quality, safety, illuminance and power-savings".



Download
 DXF 2D
 - 1511a.dxf
 3DS
 - disano_1511_torcia.3ds
 3DM
 - disano_1511_torcia.3dm
 Montaggi
 - 1511_torcia.pdf
 - te-diva-torcia installazione.dxf

Code	Gear	Kg	Watt	Base	Lamps	Colour
423242-0016	CNR-L	7,22	CDM-T 150	G12	12700lm-4200k-Ra 2a	SANDBLASTED SILVER
423240-0016	CNR-L	8,60	SAP-T 70	E27	6000lm-2000K-Ra 4	SANDBLASTED SILVER
423243-0016	CNR-L	7,22	CDM-T 150	G12	12700lm-4200k-Ra 2a	GRAPHITE
423245-0016	CNR-L	8,50	JM-E 150	E27	13300lm-3200K-Ra 1b	GRAPHITE
423244-0016	CNR-L	8,50	JM-E 150	E27	13300lm-3200K-Ra 1b	SANDBLASTED SILVER
423246-0016	CNR-L	8,50	JM-E 100	E27	9000lm-3200K-Ra 2a	SANDBLASTED SILVER
423247-0016	CNR-L	8,50	JM-E 100	E27	9000lm-3200K-Ra 2a	GRAPHITE
423248-0016	CELL	7,38	CPO-TW 60	PGZ12	6850lm-2800K-Ra 2a	SANDBLASTED SILVER
423249-0016	CELL	7,78	CPO-TW 60	PGZ12	6850lm-2800K-Ra 2a	GRAPHITE
423241-0016	CNR-L	8,30	SAP-T 70	E27	6000lm-2000K-Ra 4	GRAPHITE

Accessories

