

1511 Torcia

Housing/cover: die cast aluminium.

Reflector: 99.85 moulded, anodically oxidised aluminium, thickness: 6/8 and polished.

Diffuser: Shatterproof and self-extinguishing polycarbonate V2, stabilised against UV rays.

Painting: In several stages. epoxy cationic electrocoating, resistant to corrosive and saline environments, UV stabilising priming; lastly a rough finish with frosted silver or graphite paint.

Lampholder: in ceramic material and with silver-plated contacts.

Wiring: 230V/50Hz power supply with heat protection. Flexible cable, terminated with tin-plated brass tips, silicon insulation with 1.0 mm² cross-section. 2P terminal strip with maximum permitted cross-section of conductors: 2.5 mm².

Complete with: fast connection cable

Equipment: Wall or Ø 60 pole mounting. Gasket made using ecological material. Complete with 2.5 mm² socket-pin connector. The upper cover remains attached during the lamp change operation by means of a steel safety lanyard. Cable gland with ø9 minimum and ø12 mm maximum entry cable, complete with locking ring.

Standards: Products in compliance with current EN 60598 standards, with protection class in accordance with EN 60529 standards.

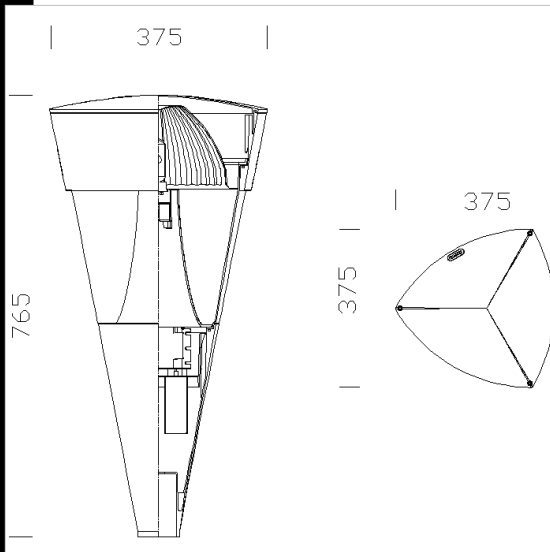
The upper cover remains attached during the lamp change operation by means of a steel safety lanyard.

Complete with socket-pin connector. Cable gland with ø9 minimum and ø12 mm maximum entry cable, complete with locking ring.

Torcia is already available with white light lamps (CPO-TW)

*A new urban lighting concept that uses white light:

white light clearly offers numerous advantages in terms of chromatic yield, quality, safety, illuminance and power-savings*.



Download

- DXF 2D
- 1511a.dxf
- 3DS
- disano_1511_torcia.3ds
- 3DM
- disano_1511_torcia.3dm
- Montaggi
- 1511_torcia.pdf

Code	Gear	Kg	Watt	Base	Lamps	Colour
423240-00	CNR-L	8,24	SAP-T 70	E27	6000lm-2000K-Ra 4	SANDBLASTED SILVER
423241-00	CNR-L	8,24	SAP-T 70	E27	6000lm-2000K-Ra 4	GRAPHITE
423242-00	CNR-L	8,50	CDM-T 150	G12	12700lm-4200k-Ra 2a	SANDBLASTED SILVER
423243-00	CNR-L	8,50	CDM-T 150	G12	12700lm-4200k-Ra 2a	GRAPHITE
423244-00	CNR-L	9,50	JM-E 150	E27	13300lm-3200K-Ra 1b	SANDBLASTED SILVER
423246-00	CNR-L	8,50	JM-E 100	E27	9000lm-3200K-Ra 2a	SANDBLASTED SILVER
423247-00	CNR-L	8,50	JM-E 100	E27	9000lm-3200K-Ra 2a	GRAPHITE
423248-00	CELL	7,84	CPO-TW 60	PGZ12	6850lm-2800K-Ra 2a	SANDBLASTED SILVER
423249-00	CELL	8,50	CPO-TW 60	PGZ12	6850lm-2800K-Ra 2a	GRAPHITE
423245-00	CNR-L	9,50	JM-E 150	E27	13300lm-3200K-Ra 1b	GRAPHITE

Accessories



- 301 Oliva arm



- 1464 Corona



- 300 Oliva



- 129 bent arm



- 303 ø 60 connection



- 302 attacco parete



- 1465 flange ø120



- 211 connector Sector