

## 1511 Torcia against light pollution

Housing/cover: die cast aluminium.

Reflector: 99.85 moulded, anodically oxidised aluminium, thickness: 6/8 and polished.

Diffuser: Shatterproof and self-extinguishing polycarbonate V2, stabilised against UV rays. With flat, hardened glass in versions without cap.

Painting: the standard liquid immersion coating consists of a first metal surface pre-treatment stage, a successive epoxy cataphoresis corrosion and salt resistant coating, and a final layer of bi-component acrylic liquid UV-stabilised coating.

Lampholder: in ceramic material and with silver-plated contacts.

Wiring: 230V/50Hz power supply with heat protection. Flexible cable, terminated with tin-plated brass tips, silicon insulation with 1.0 mm<sup>2</sup> cross-section. 2P terminal strip with maximum permitted cross-section of conductors: 2.5 mm<sup>2</sup>.

Complete with: fast connection.

Equipment: Wall or Ø 60 pole mounting. Gasket made using ecological material. Complete with 2.5 mm<sup>2</sup> socket-pin connector. The upper cover remains attached during the lamp change operation by means of a steel safety lanyard. Cable gland with ø9 minimum and ø12 mm maximum entry cable, complete with locking ring.

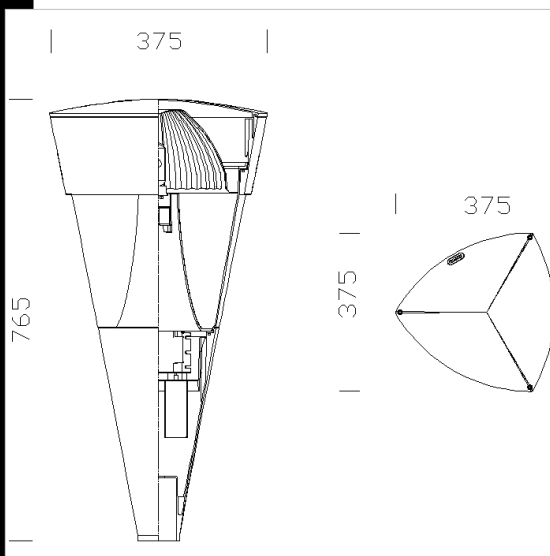
Standards: Products in compliance with current EN 60598 standards, with protection class in accordance with EN 60529 standards.

Complete with socket-pin connector. Cable gland with ø9 minimum and ø12 mm maximum entry cable, complete with locking ring.

Torcia is already available with white light lamps (CPO-TW)

"A new urban lighting concept that uses white light:

white light clearly offers numerous advantages in terms of chromatic yield, quality, safety, illuminance and power-savings".



### Download

DXF 2D

- 1511a.dxf

3DS

- disano\_1511\_torcia.3ds

3DM

- disano\_1511\_torcia.3dm

Montaggi

- 1511\_torcia.pdf

- te-diva-torcia installazione.dxf

Code	Gear	Kg	Lumen-K-CRI	WTot	Base	Colour
423243-0016	CNR-L	7.22	CDM-T 150-12700lm-4200k-Ra 2a	157 W	G12	GRAPHITE
423245-0016	CNR-L	8.50	JM-E 150-13300lm-3200K-Ra 1b	157 W	E27	GRAPHITE
423244-0016	CNR-L	8.50	JM-E 150-13300lm-3200K-Ra 1b	157 W	E27	GREY9007
423247-0016	CNR-L	8.50	JM-E 100-9000lm-3200K-Ra 2a	114 W	E27	GRAPHITE
423241-0016	CNR-L	8.30	SAP-T 70-6000lm-2000K-Ra 4	83 W	E27	GRAPHITE
423246-0016	CNR-L	8.50	JM-E 100-9000lm-3200K-Ra 2a	114 W	E27	GREY9007
423240-0016	CNR-L	8.60	SAP-T 70-6000lm-2000K-Ra 4	83 W	E27	GREY9007
423242-0016	CNR-L	7.22	CDM-T 150-12700lm-4200k-Ra 2a	157 W	G12	GREY9007

### Accessories



- 211 connector Sector



- 300 Oliva



- 301 Oliva arm



- 302 attacco parete



- 1464 Corona



- 1465 flange ø120



- 129 bent arm



- 303 ø 60 connection

The reported luminous flux is the flux emitted by the light source with a tolerance of ± 10% compared to the indicated value. The W tot column indicates the total wattage absorbed by the system without exceeding 10% of the indicated