

1511 Torcia

Housing/cover: die cast aluminium.

Reflector: 99.85 moulded, anodically oxidised aluminium, thickness: 6/8 and polished.

Diffuser: Shatterproof and self-extinguishing polycarbonate V2, stabilised against UV rays.

Painting: the standard liquid immersion coating consists of a first metal surface pre-treatment stage, a successive epoxy cataphoresis corrosion and salt resistant coating, and a final layer of bi-component acrylic liquid UV-stabilised coating.

Lampholder: in ceramic material and with silver-plated contacts.

Wiring: 230V/50Hz power supply with heat protection. Flexible cable, terminated with tin-plated brass tips, silicon insulation with 1.0 mm² cross-section. 2P terminal strip with maximum permitted cross-section of conductors: 2.5 mm².

Complete with: fast connection cable

Equipment: Wall or Ø 60 pole mounting. Gasket made using ecological material. Complete with 2.5 mm² socket-pin connector. The upper cover remains attached during the lamp change operation by means of a steel safety lanyard. Cable gland with ø9 minimum and ø12 mm maximum entry cable, complete with locking ring.

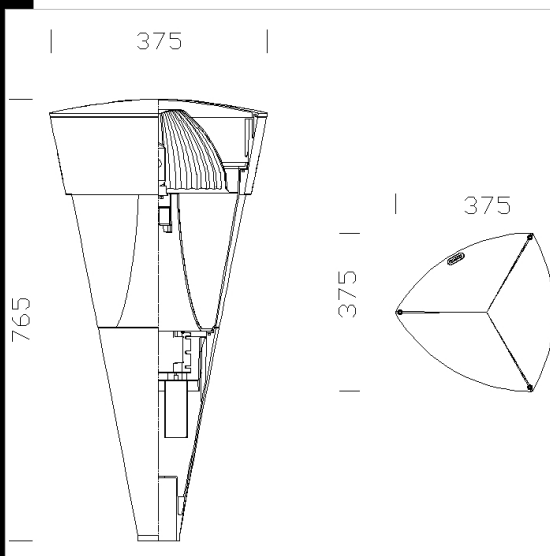
Standards: Products in compliance with current EN 60598 standards, with protection class in accordance with EN 60529 standards.

The upper cover remains attached during the lamp change operation by means of a steel safety lanyard.

Complete with socket-pin connector. Cable gland with ø9 minimum and ø12 mm maximum entry cable, complete with locking ring.

Torcia is already available with white light lamps (CPO-TW)

"A new urban lighting concept that uses white light: white light clearly offers numerous advantages in terms of chromatic yield, quality, safety, illuminance and power-savings".

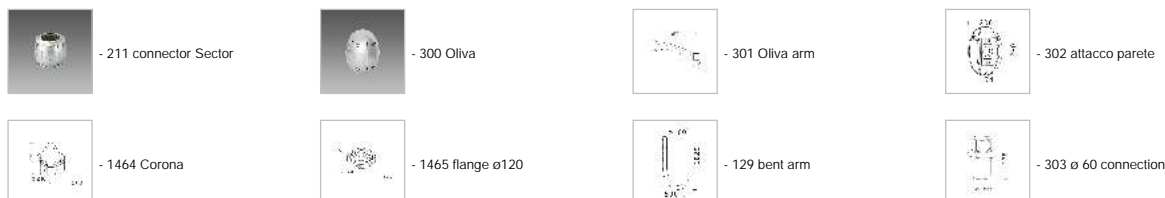


Download

- DXF 2D
- 1511a.dxf
- 3DS
- disano_1511_torcia.3ds
- 3DM
- disano_1511_torcia.3dm
- Montaggi
- 1511_torcia.pdf

Code	Gear	Kg	Lumen-K-CRI	WTot	Base	Colour
423243-00	CNR-L	8.50	CDM-T 150-12700lm-4200k-Ra 2a	157 W	G12	GRAFITE
423245-00	CNR-L	9.50	JM-E 150-13300lm-3200K-Ra 1b	157 W	E27	GRAFITE
423242-00	CNR-L	8.50	CDM-T 150-12700lm-4200k-Ra 2a	157 W	G12	GREY9007
423244-00	CNR-L	9.50	JM-E 150-13300lm-3200K-Ra 1b	157 W	E27	GREY9007
423240-00	CNR-L	8.24	SAP-T 70-6000lm-2000K-Ra 4	83 W	E27	BIANCO
423241-00	CNR-L	8.24	SAP-T 70-6000lm-2000K-Ra 4	83 W	E27	GRAFITE
423247-00	CNR-L	8.50	JM-E 100-9000lm-3200K-Ra 2a	114 W	E27	GRAFITE
423246-00	CNR-L	8.50	JM-E 100-9000lm-3200K-Ra 2a	114 W	E27	GREY9007

Accessories



The reported luminous flux is the flux emitted by the light source with a tolerance of ± 10% compared to the indicated value. The W tot column indicates the total wattage absorbed by the system without exceeding 10% of the indicated