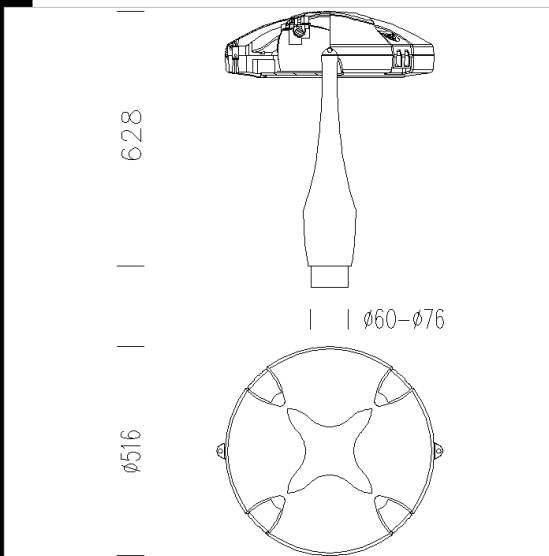


1781 Discovery asymmetric



Housing including frame: Die-cast aluminium with locking latches.
 Reflector: LIGHT POLLUTION CONTROL OPTIC – asymmetric. Pressed, anodised (6/8µ) and polished 99.85 aluminium.
 Diffuser: 5mm thick tempered glass , resistant to impact and thermal shock (UNI EN 1250-1:2001 tests).
 Coating: In several stages. epoxy cationic electrocoating, resistant to corrosive and saline environments, UV stabilising priming; lastly a rough finish with frosted silver or graphite paint.
 Lamp holder: Ceramic with silver-plated contacts
 Electric gear: 230V/50HzHz power supply with heat protection. Flexible wire terminated with admiralty brass clamps; silicone insulation; cross-section: 1 sqmm . 2P terminal block (maximum allowed lead cross-section: 2.5 sqmm).
 Standard supply: Electric gear on a removable tray.
 Equipment: Ø 60 wall or pole mounting unit. During maintenance the cover stays attached by means of a device that prevents accidental closing. Gasket made of environment-friendly material. Anticondensation filter
 Regulations: Manufactured in accordance with EN60598 standards. Degree of protection in accordance with EN60529 standards
 On request available version with ceramic lamp.



Code	Gear	Kg	Lumen-K-CRI	WTot	Base	Colour
423213-00	CNRL-F	13.00	SAP-TS 150-15000lm-2000K-Ra 4	166 W	Rx7s	GREY9007/GRAF
423212-00	CELL	13.00	JM-TS 150-12500lm-4200K-Ra 1b	166 W	Rx7s	GREY9007/GRAF



Download

DXF 2D
- 1781.dxf

3DS
- disano_1781_discovery_3ds

3DM
- disano_1781_discovery_3dm

Montaggi
- discovery_comp4.dxf
- 1781_fascio.dxf
- discovery_comp5.dxf
- discovery_comp6.dxf
- discovery_comp1.dxf
- discovery_comp3.dxf
- 1781_fascio.dxf
- discovery_comp7.dxf
- 1780-1_discovery.pdf
- discovery_comp2.dxf

The reported luminous flux is the flux emitted by the light source with a tolerance of ± 10% compared to the indicated value. The W tot column indicates the total wattage absorbed by the system without exceeding 10% of the indicated