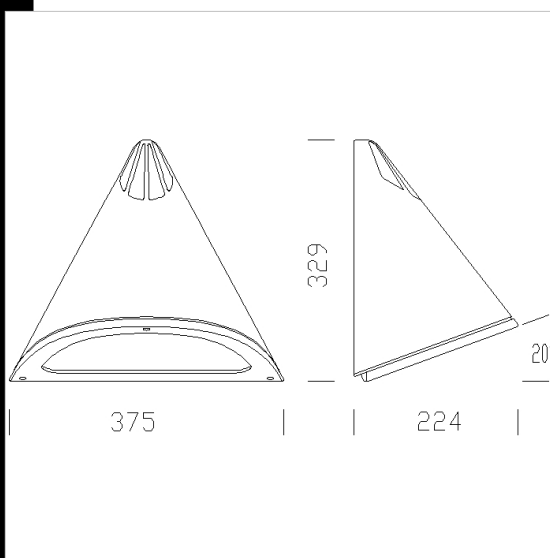




1282 Meridiana LED

Housing and front frame: In diecast aluminium.
 Diffuser: In tempered glass, thermal shock and impact resistant.
 Painting: the standard liquid immersion coating consists of a first metal surface pre-treatment stage, a successive epoxy cataphoresis corrosion and salt resistant coating, and a final layer of bi-component acrylic liquid UV-stabilised coating.
 Standard supply: When open, the front frame stays attached to the housing by means of safety springs, for easy maintenance.
 Equipment: Gasket in environment-friendly material. Waterproof rubber cable gland Ø 1/2 gas thread (cable min. Ø 9 max. Ø 12). install on pole with acc. 96
 Regulations: Produced according to applicable EN60598-1 CEI 34 - 21 standards, IP65IK07 degree of protection to EN 60529 standards. This product can be installed on normally inflammable surfaces.
 Photobiological safety class: exempt group
 Power factor: >= 0.9 Luminous flux maintenance 70%: 50.000h (L70B50).



Download

- DXF 2D
- 1298.dxf
- 3DS
- disano_1282_meridiana.3ds
- 3DM
- disano_1282_meridiana.3dm
- Montaggi
- 96 montaggio.dxf
- meridiana 04-21.pdf
- BIM
- 1282 Meridiana LED - 20200224.zip

Code	Gear	Kg	Lumen Output-K-CRI	WTot	Colour
423095-00	CLD	3,10	LED-1119-4000K-CRI>=80	9 W	GREY9007
423096-00	CLD	3,10	LED-1119lm-4000K-CRI>=80	9 W	GRAPHITE
423097-00	CLD	3,10	LED-1990lm-4000K-CRI>=80	17 W	GREY9007
423099-00	CLD	3,10	LED-1990lm-4000K-CRI>=80	17 W	GRAPHITE

Accessori



- 96 ø60 pole mounting -

The reported luminous flux is the flux emitted by the light source with a tolerance of ± 10% compared to the indicated value. The W tot column indicates the total wattage absorbed by the system without exceeding 10% of the indicated