



1298 Meridiana 1

The façade of a public building, a church or even a house carries great symbolic value

Housing and front frame: In diecast aluminium.

Diffuser: In tempered glass, thermal shock and impact resistant.

Painting: the standard liquid immersion coating consists of a first metal surface pre-treatment stage, a successive epoxy cataphoresis corrosion and salt resistant coating, and a final layer of bi-component acrylic liquid UV-stabilised coating.

Lampholder: In polycarbonate, with phosphor bronze contacts (FLC). In ceramics with silver-plated contacts.

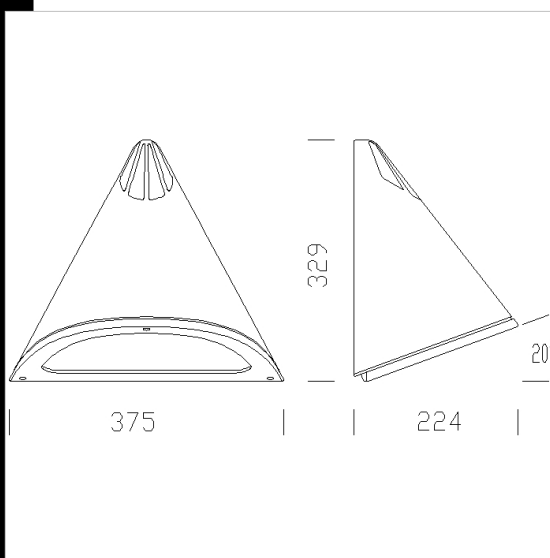
Electric gear: 230V/50Hz supply with thermal protection. Hard wire, cross-section 0.50sqmm (FLC), PVC-HT sheath, or silicone wire terminated with quick-connection admiralty brass clamps; double fibreglass braid insulation. 2P+T terminal block (maximum allowed lead cross-section: 2.5 sqmm).

Standard supply: When open, the front frame stays attached to the housing by means of safety springs, for easy maintenance.

Equipment: Gasket in environment-friendly material. Waterproof rubber cable gland Ø 1/2 gas thread (cable min. Ø 9 max. Ø 12). install on pole with acc. 96

Regulations: Produced according to applicable EN60598-1 CEI 34 - 21 standards, IP65IK07 degree of protection to EN 60529 standards. This product can be installed on normally inflammable surfaces.

Lamps: Includes discharge lamps.



| Code | Gear | Kg | Lumen-K-CRI | WTot | Base | Colour |
|-----------|-------|------|--------------------------------|-------|--------|----------|
| 423080-00 | CNR-L | 5.17 | JM-TS 70-5700lm-4000k-Ra 1b | 92 W | Rx7s | GREY9007 |
| 423082-00 | CNR-L | 5.07 | SAP-TS 70-6800lm-2000K-Ra 4 | 83 W | Rx7s | GREY9007 |
| 423081-00 | CNR-L | 5.97 | JM-TS 150-12000lm-4000K-Ra 1b | 168 W | Rx7s | GREY9007 |
| 423093-08 | CELL | 3.75 | FLC 2x26D/E-1800lm-4000K-Ra 1b | 54 W | G24q-3 | GRAFITE |
| 423084-00 | CNR-L | 5.07 | JM-TS 70-5700lm-4000k-Ra 1b | 92 W | Rx7s | GRAFITE |
| 423083-00 | CNR-L | 5.97 | SAP-TS 150-15000lm-2000K-Ra 4 | 168 W | Rx7s | GREY9007 |
| 423087-00 | CNR-L | 5.77 | SAP-TS 150-15000lm-2000K-Ra 4 | 168 W | Rx7s | GRAFITE |
| 423085-00 | CNR-L | 5.97 | JM-TS 150-12000lm-4000K-Ra 1b | 168 W | Rx7s | GRAFITE |
| 423086-00 | CNR-L | 5.07 | SAP-TS 70-6800lm-2000K-Ra 4 | 83 W | Rx7s | GRAFITE |
| 423091-08 | CELL | 4.50 | FLC 2x26D/E-1800lm-4000K-Ra 1b | 54 W | G24q-3 | GREY9007 |

Accessories



- 96 ø60 pole mounting - Meridiana

The reported luminous flux is the flux emitted by the light source with a tolerance of ± 10% compared to the indicated value. The W tot column indicates the total wattage absorbed by the system without exceeding 10% of the indicated