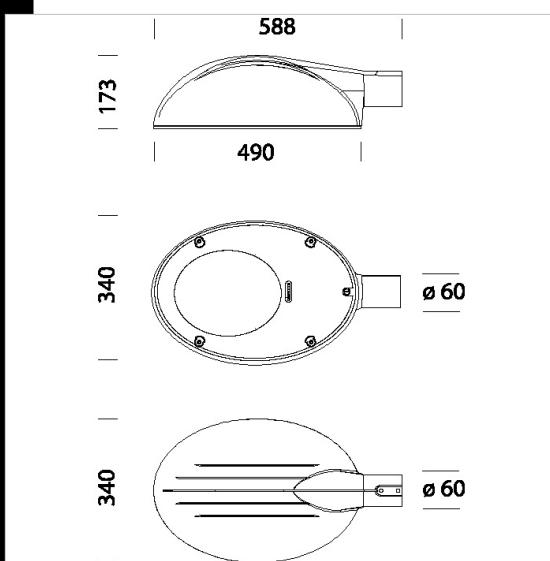


1756 Monza FX

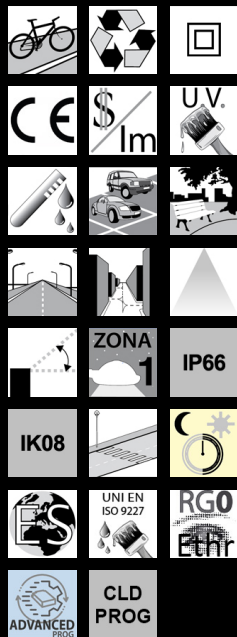
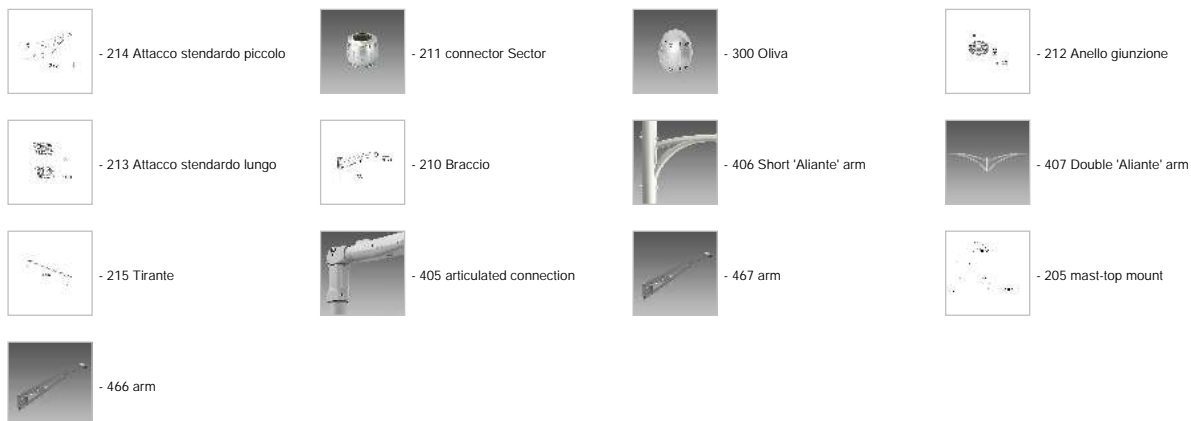


Housing: die cast aluminium.
 Diffuser: 5 mm. thick, toughened glass, withstands thermal shocks and impacts (tested according to UNI EN 12150-1: 2001).
 Painting: the standard liquid immersion coating consists of a first metal surface pre-treatment stage, a successive epoxy cataphoresis corrosion and salt resistant coating, and a final layer of bi-component acrylic liquid UV-stabilised coating.
 Gear: temperature control device inside the lamp with automatic recovery. Standard knife switch.
 LED: Latest generation LED technology, Ta-40+40°C life 80%: >100.000h (L80B10). Photobiological safety class: exempt group EN62471.
 Regulations: Produced according to applicable EN60598-1 CEI 34-21 standards, degree of protection according to EN 60529 standards.
 Wind surface: L:800cm².



Code	Gear	Kg	Lumen Output-K-CRI	WTot	Colour	Surge
423065-00	CLD	5,50	LED-3723lm-270mA-4000K-CRI 70	26 W	GREY9007	6/10kV
423065-39	CLD CELL	5,46	LED-3462lm-270mA-3000K-CRI 70	26 W	GREY9007	6/10kV

Accessori



Download

- DXF 2D
- 1756.dxf
- 3DS
- disano_1756_monza.3ds
- 3DM
- disano_1756_monza.3dm
- BIM
- 1756 Monza FX + Acc. 405 - 20200611.zip
- 1756 Monza FX - 20200611.zip

The reported luminous flux is the flux emitted by the light source with a tolerance of ± 10% compared to the indicated value. The W tot column indicates the total wattage absorbed by the system without exceeding 10% of the indicated