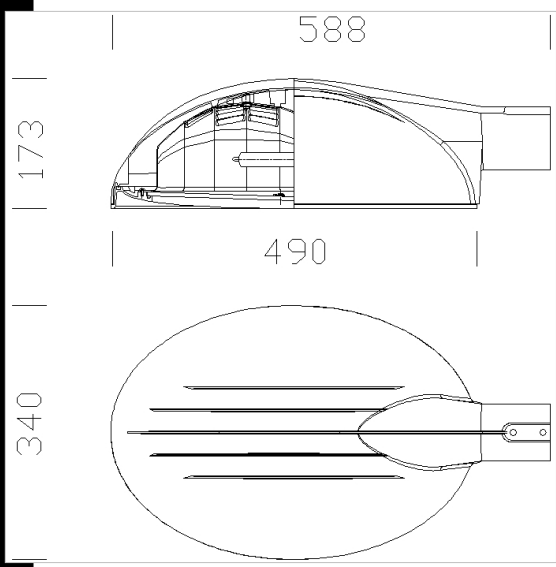


1755 Monza - with flat glass

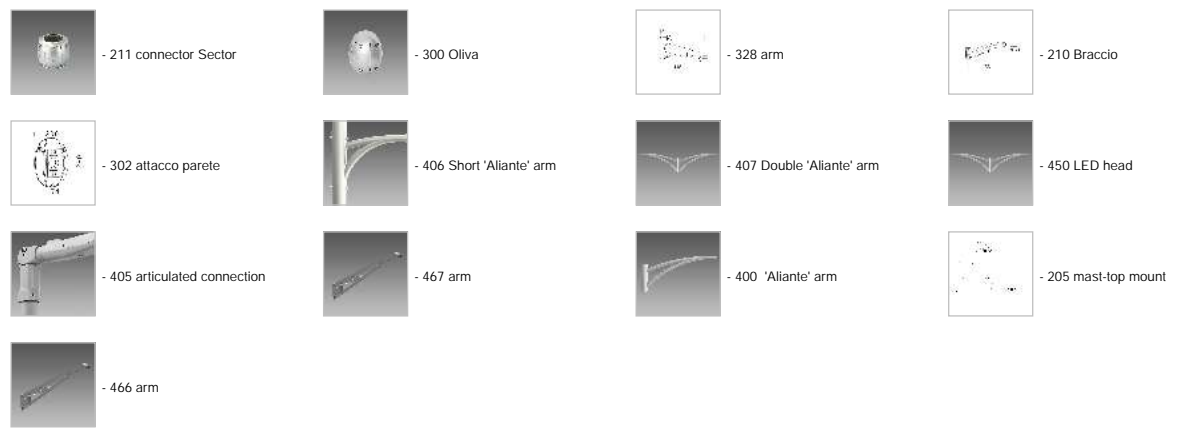
Housing: die cast aluminium.
 Reflector: ANTI-LIGHT POLLUTION OPTICS. Produced using 99.85 moulded, anodically oxidised and polished aluminium, with flux recovery.
 Diffuser: 5 mm. thick, toughened glass, withstands thermal shocks and impacts (tested according to UNI EN 12150-1: 2001).
 Painting: the standard liquid immersion coating consists of a first metal surface pre-treatment stage, a successive epoxy cataphoresis corrosion and salt resistant coating, and a final layer of bi-component acrylic liquid UV-stabilised coating.
 Wiring: 230V/50Hz power supply with ballast conventional or electronic.
 Flexible cable, terminated with quick connector tin-plated brass tips, with double silicon insulation, 1.0 mm² cross-section. 2P terminal strip with maximum permitted cross-section of conductors: 2.5 mm².
 Complete with: Wiring on removable plate with quick connectors to connect to the line and the lampholder.
 Equipment: The cover remains attached during maintenance operations by means of a side spring. Gasket made from ecological material. Rotating connection with goniometric scale to adjust the housing and with isolating switch supplied as a standard feature.
 Standards: Products comply with current EN 60598 standards. With IP66IK08 protection in accordance with EN60529. Insulation class: II.
 Wind surface: L:800cm².
 Monza is already available with white light lamps (CPO-TW)
 "A new urban lighting concept that uses white light: white light clearly offers numerous advantages in terms of chromatic yield, quality, safety, illuminance and power-savings".



Download
 DXF 2D
 - 1754-55.dxf
 3DS
 - 1755_monza.3ds
 3DM
 - 1755_monza.3dm
 Montaggi
 - monza.pdf

Code	Gear	Kg	Lumen-K-CRI	WTot	Base	Colour
423056-00	CELL	6.00	CDM-T 150-13000lm-4200k-Ra 2a	147 W	G12	GREY9007
423054-00	CELL	6.00	CPO-TW 90-10450lm-2880K-Ra 66	97 W	PGZ12	GREY9007
423051-00	CELL	6.00	CDM-T 70-6600lm-3000K-Ra 1b	73 W	G12	GREY9007
423052-00	CELL	6.00	CPO-TW 60-6850lm-2730K-Ra 66	65 W	PGZ12	GREY9007
423057-00	CNR-L	6.00	CDM-T 70-6600lm-3000K-Ra 1b	83 W	G12	GREY9007
423058-00	CNR-L	6.00	CDM-T 150-14000lm-3000K-Ra 1b	166 W	G12	GREY9007

Accessories



The reported luminous flux is the flux emitted by the light source with a tolerance of ± 10% compared to the indicated value. The W tot column indicates the total wattage absorbed by the system without exceeding 10% of the indicated