

### 1752 Metropolis wide beam

Housing: Die-cast aluminium with swiveling bracket and connection for attachment onto Ø 60 poles.

Frame: Die-cast aluminium with hinge opening.

With aluminium latches and safety device against accidental opening.

Reflector: LIGHT POLLUTION PREVENTING OPTIC UNIT. Wide beam version made of pressed prismatic aluminium 99.85, anodised (6/8µ) and polished with light flux recovery device.

Diffuser: Tempered glass 5 mm thick, resistant to impact and thermal shock (UNI EN 12150-1: 2001 tests).

Coating: the standard liquid immersion coating consists of a first metal surface pre-treatment stage, a successive epoxy cataphoresis corrosion and salt resistant coating, and a final layer of bi-component acrylic liquid UV-stabilised coating.

Electric gear: 230V/50Hz power supply: Flexible wire terminated with admiralty brass clamps; silicone insulation; cross-section: 1 sqmm . 2P terminal block (maximum allowed lead cross section 2.5 sqmm.)

Standard supply: Electric gear on a removable tray with quick connectors for line and lampholder connection. Standard supply includes Ø 60 pole unit adapter.

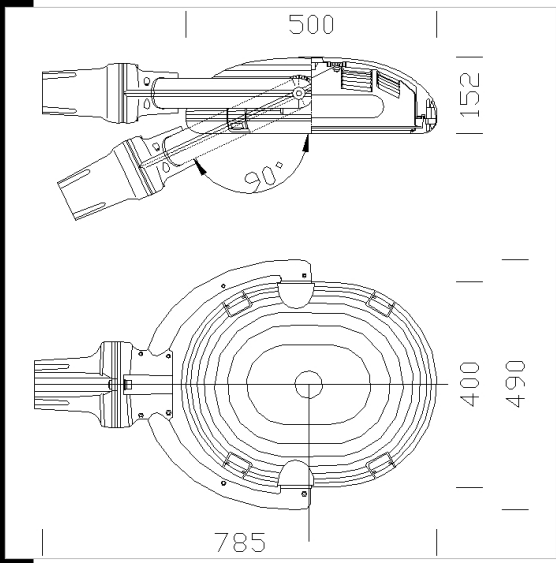
Equipment: During maintenance the cover remains attached hanging from a steel hinge. Environment-friendly gasket. Swivel bracket with protractor scale for housing adjustment. Two knife switches included, one for quick pole installation and one for maintenance.

Regulations: Manufactured in accordance with EN60598 standards. Degree of protection IP65IK08, in accordance with EN60529 standards. Insulation Class II.

On request: Other colours with metallised paint.

Wind surface: L:927cm² F:580cm².

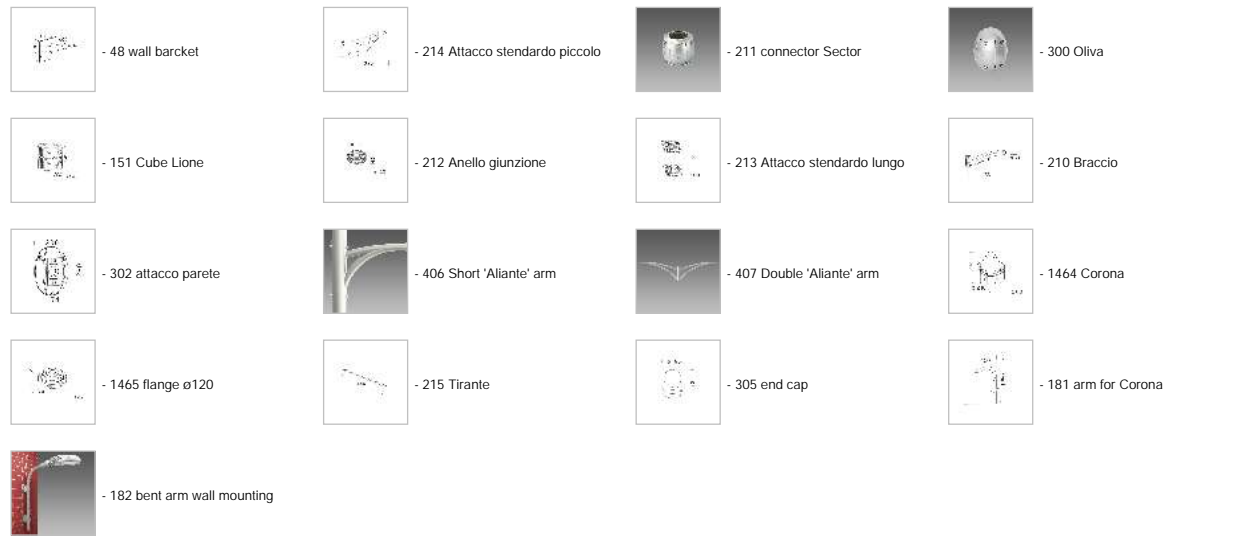
Design Studio Dal Lago



- Download**
- DXF 2D  
- 1752\_metropolis.dxf
  - 3DS  
- 1752\_metropolis.3ds
  - 3DM  
- 1752\_metropolis.3dm
  - Montaggi  
- 1750\_3\_metrop.pdf

Code	Gear	Kg	Lumen-K-CRI	WTot	Base	Colour
423024-00	CNR-L	12.38	SAP-T 70-6000lm-2000K-Ra 4	83 W	E27	GRAPHITE
423020-00	CNR-L	13.46	SAP-T 70-6000lm-2000K-Ra 4	83 W	E27	GREY9007
423027-00	CNR-L	13.40	CDO-TT 150-13500lm-2800K-Ra 1b	157 W	E40	GRAPHITE
423025-00	CNR-L	13.40	SAP-T 150-17200lm-2000K-Ra 4	157 W	E40	GRAPHITE
423029-00	CNR-L	14.00	SAP-T 250-33000lm-2000 K-Ra 4	277 W	E40	GRAPHITE
423021-00	CNR-L	13.46	SAP-T 150-17200lm-2000K-Ra 4	157 W	E40	GREY9007
423023-00	CNR-L	13.72	CDO-TT 150-13500lm-2800K-Ra 1b	157 W	E40	GREY9007
423028-00	CNR-L	14.00	SAP-T 250-33000lm-2000 K-Ra 4	277 W	E40	GREY9007

**Accessories**



The reported luminous flux is the flux emitted by the light source with a tolerance of ± 10% compared to the indicated value. The W tot column indicates the total wattage absorbed by the system without exceeding 10% of the indicated