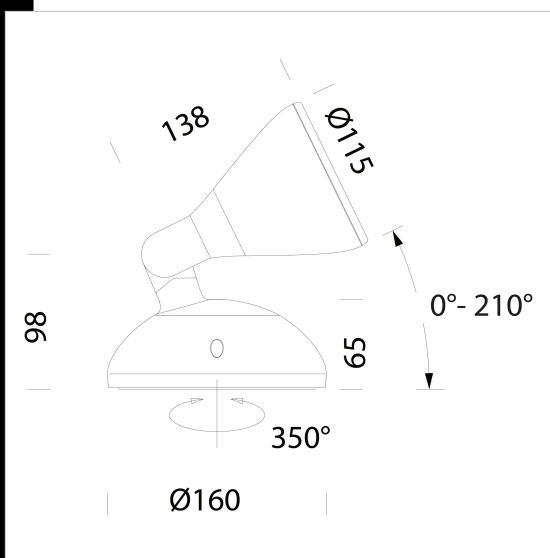


## 2569 Podio - with reflector

Housing/frame: in die-cast aluminium with central articulated joint in die-cast aluminium. Base: in die-cast aluminium. Reflector: in high-performance silver aluminium. Diffuser: in extra clear tempered glass, 4 mm thick, resistant to thermal shocks and impacts. Grey 9006/white coating: the standard powder coating consists of a first metal surface pre-treatment stage for marine environments in compliance with UNI EN ISO 9227 regulation and of single layer of UV-stabilised, corrosion and salt resistant polyester powder coating. Standard Supply: electronic safety device to protect the LED module and the related ballast compliant with EN 61547.. On request: DIMM 1/10V LED: Power factor 0.92. LED: Luminous flux maintenance 80%: 50.000h (L80B20).



### Download

- DXF 2D  
- 2569.dxf
- 3DS  
- disano\_2569\_podio.3ds
- 3DM  
- disano\_2569\_podio.3dm
- Montaggi  
- podio\_12-20.pdf

Code	Gear	Kg	Lumen-K-CRI	WTot	Colour
422570-00	CLD	1.40	LED COB-1928lm-4000K-13°-CRI 90	28 W	GREY9006
422571-00	CLD	1.40	LED COB-1928lm-4000K-13°-CRI 90	28 W	BIANCO
422574-00	CLD	1.40	LED COB-1988lm-4000K-28°-CRI 90	28 W	GREY9006
422575-00	CLD	1.42	LED COB-1988lm-4000K-28°-CRI 90	28 W	BIANCO
422572-00	CLD	1.36	LED COB-3021lm-4000K-13°-CRI 90	42 W	GREY9006
422573-00	CLD	1.36	LED COB-3021lm-4000K-13°-CRI 90	42 W	BIANCO
422576-00	CLD	1.36	LED COB-3116lm-4000K-28°-CRI 90	42 W	GREY9006
422577-00	CLD	1.36	LED COB-3116lm-4000K-28°-CRI 90	42 W	BIANCO
422570-0041	CLD CELLDD	1.50	LED COB-1928lm-4000K-15°-CRI 90	28 W	GREY9006
422571-0041	CLD CELLDD	1.50	LED COB-1928lm-4000K-15°-CRI 90	28 W	GRAFITE
422574-0041	CLD-D-D	1.40	LED COB-1988lm-4000K-30°-CRI 90	28 W	GREY9006
422575-0041	CLD-D-D	1.38	LED COB-1988lm-4000K-30°-CRI 90	28 W	BIANCO
422572-0041	CLD CELLDD	1.50	LED COB-3021lm-4000K-15°-CRI 90	41 W	GREY9006
422573-0041	CLD CELLDD	1.50	LED COB-3021lm-4000K-15°-CRI 90	41 W	GRAFITE
422576-0041	CLD-D-D	1.36	LED COB-3116lm-4000K-30°-CRI 90	42 W	GREY9006
422577-0041	CLD-D-D	1.36	LED COB-3116lm-4000K-30°-CRI 90	42 W	BIANCO
422570-39	CLD	1.36	LED COB-1831lm-3000K - 13°-CRI 90	28 W	GREY9006
422571-39	CLD	1.34	LED COB-1831lm-3000K - 13°-CRI 90	28 W	BIANCO
422574-39	CLD	1.34	LED COB-1888lm-3000K - 28°-CRI 90	28 W	GREY9006
422575-39	CLD	1.34	LED COB-1888lm-3000K - 28°-CRI 90	28 W	BIANCO
422572-39	CLD	1.34	LED COB-2869lm-3000K - 13°-CRI 90	42 W	GREY9006
422573-39	CLD	1.36	LED COB-2869lm-3000K - 13°-CRI 90	42 W	BIANCO
422576-39	CLD	1.34	LED COB-2960lm-3000K - 28°-CRI 90	42 W	GREY9006
422577-39	CLD	1.36	LED COB-2960lm-3000K - 28°-CRI 90	42 W	BIANCO

The reported luminous flux is the flux emitted by the light source with a tolerance of  $\pm 10\%$  compared to the indicated value. The W tot column indicates the total wattage absorbed by the system without exceeding 10% of the indicated