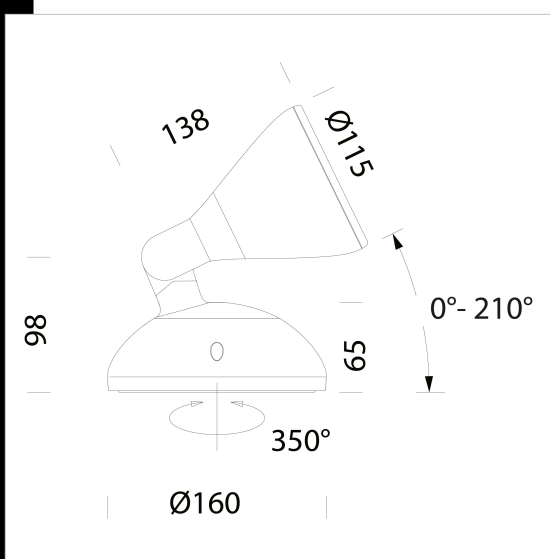
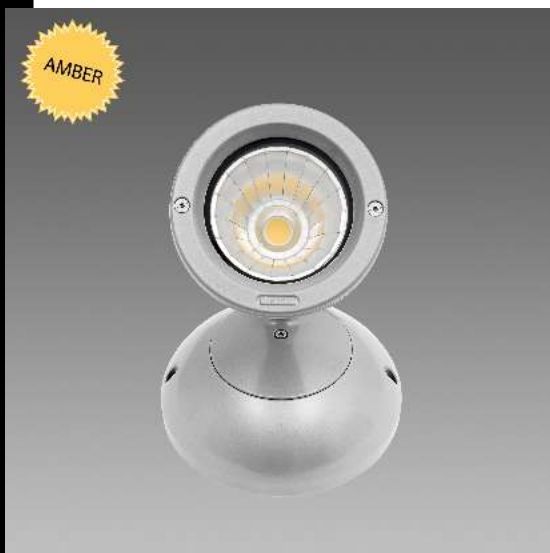


## 2569 Podio Amber- with reflector

Housing/frame: in die-cast aluminium with central articulated joint in die-cast aluminium. Base: in die-cast aluminium. Reflector: in high-performance silver aluminium. Diffuser: in extra clear tempered glass, 4 mm thick, resistant to thermal shocks and impacts. Grey 9006/white coating: the standard powder coating consists of a first metal surface pre-treatment stage and of single layer of UV-stabilised, corrosion and salt resistant polyester powder coating. On request: coating compliant with UNI EN ISO 9227 Corrosion tests in artificial atmospheres for aggressive environments. Standard Supply: electronic safety device to protect the LED module and the related ballast compliant with EN 61547. On request: DIMM 1/10V LED: Power factor 0.92. LED: Luminous flux maintenance 80%: 50.000h (L80B20).



Code	Gear	Kg	Lumen Output-K-CRI	WTot	Colour
422570-73	CLD CELL	1,50	LED COB AMBER-2159lm-2200K - 13° - amber-	28 W	GREY9006
422571-73	CLD CELL	1,50	LED COB AMBER-2159lm-2200K - 13° - amber-	28 W	WHITE
422574-73	CLD CELL	1,50	LED COB AMBER-2226lm-2200K - 28° - amber-	28 W	GREY9006
422575-73	CLD CELL	1,50	LED COB AMBER-2226lm-2200K - 28° - amber-	28 W	WHITE
422572-73	CLD CELL	1,50	LED COB AMBER-3383lm-2200K - 13° - amber-	42 W	GREY9006
422573-73	CLD CELL	1,50	LED COB AMBER-3383lm-2200K - 13° - amber-	42 W	WHITE
422576-73	CLD CELL	1,50	LED COB AMBER-3489lm-2200K - 28° - amber-	42 W	GREY9006
422577-73	CLD CELL	1,50	LED COB AMBER-5380lm-2200K - 28° - amber-	37 W	WHITE

### Accessori



- 119 peg



### Download

- DXF 2D  
- 2569.dxf
- 3DS  
- disano\_2569\_podio.3ds
- 3DM  
- disano\_2569\_podio.3dm
- Montaggi  
- podio 12-20.pdf
- BIM  
- 2569 Podio Amber- with reflector - 20200611.zip

The reported luminous flux is the flux emitted by the light source with a tolerance of  $\pm 10\%$  compared to the indicated value. The W tot column indicates the total wattage absorbed by the system without exceeding 10% of the indicated