

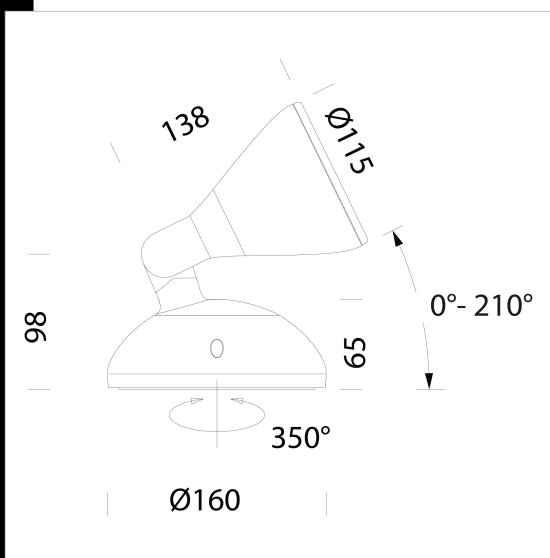


## 2568 Podio Amber - with lens

Housing/frame: in die-cast aluminium with central articulated joint in die-cast aluminium. Base: in die-cast aluminium. Lens: in PMMA with high efficiency output and very low glare rate. Diffuser: in extra clear tempered glass, 4 mm thick, resistant to thermal shocks and impacts. Grey 9006/white coating: the standard powder coating consists of a first metal surface pre-treatment stage for marine environments in compliance with UNI EN ISO 9227 regulation and of single layer of UV-stabilised, corrosion and salt resistant polyester powder coating. Standard Supply: electronic safety device to protect the LED module and the related ballast compliant with EN 61547. On request: DIMM 1/10V LED: Power factor 0.92. LED: Luminous flux maintenance 80%: 50.000h (L80B20).

### Download

- DXF 2D  
- 2568.dxf
- 3DS  
- disano\_2568\_podio.3ds
- 3DM  
- disano\_2568\_podio.3dm
- Montaggi  
- podio 12-20.pdf
- BIM  
- 2568 Podio Amber - with lens - 20200611.zip



Code	Gear	Kg	Lumen Output-K-CRI	WTot	Colour
422560-73	CLD CELL	1,50	LED COB AMBER-2064lm-2200K - 15° - amber-	28 W	GREY9006
422561-73	CLD CELL	1,50	LED COB AMBER-2064lm-2200K - 15° - amber-	28 W	WHITE
422564-73	CLD CELL	1,50	LED COB AMBER-2153lm-2200K - 30° - amber-	28 W	GREY9006
422565-73	CLD CELL	1,50	LED COB AMBER-2153lm-2200K - 30° - amber-	28 W	WHITE
422562-73	CLD CELL	1,50	LED COB AMBER-3234lm-2200K - 15° - amber-	42 W	GREY9006
422563-73	CLD CELL	1,50	LED COB AMBER-3234lm-2200K - 15° - amber-	42 W	WHITE
422566-73	CLD CELL	1,50	LED COB AMBER-3374lm-2200K - 30° - amber-	42 W	GREY9006
422567-73	CLD CELL	1,50	LED COB AMBER-3374lm-2200K - 30° - amber-	42 W	WHITE

### Accessori



- 119 peg

The reported luminous flux is the flux emitted by the light source with a tolerance of  $\pm 10\%$  compared to the indicated value. The W tot column indicates the total wattage absorbed by the system without exceeding 10% of the indicated