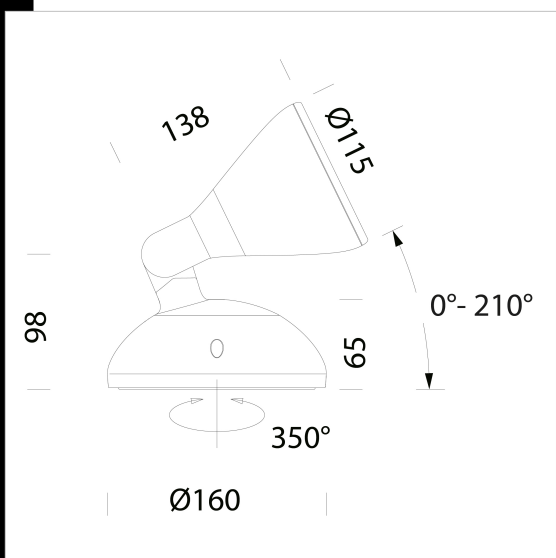




2568 Podio - with lens

Housing/frame: in die-cast aluminium with central articulated joint in die-cast aluminium. Base: in die-cast aluminium. Lens: in PMMA with high efficiency output and very low glare rate. Diffuser: in extra clear tempered glass, 4 mm thick, resistant to thermal shocks and impacts. Grey 9006/white coating: the standard powder coating consists of a first metal surface pre-treatment stage for marine environments in compliance with UNI EN ISO 9227 regulation and of single layer of UV-stabilised, corrosion and salt resistant polyester powder coating. Standard Supply: electronic safety device to protect the LED module and the related ballast compliant with EN 61547. On request: DIMM 1/10V LED: Power factor 0.92. LED: Luminous flux maintenance 80%: 50.000h (L80B20).



Download

- DXF 2D
- 2568.dxf
- 3DS
- disano_2568_podio.3ds
- 3DM
- disano_2568_podio.3dm
- Montaggi
- podio_12-20.pdf
- BIM
- 2568 Podio - with lens - 20200611.zip

Code	Gear	Kg	Lumen Output-K-CRI	WTot	Colour
422560-00	CLD	1,44	LED COB-1843lm-4000K-15°-CRI 90	28 W	GREY9006
422561-00	CLD	1,46	LED COB-1843lm-4000K-15°-CRI 90	28 W	WHITE
422564-00	CLD	1,46	LED COB-1923lm-4000K-30°-CRI 90	28 W	GREY9006
422565-00	CLD	1,44	LED COB-1923lm-4000K-30°-CRI 90	28 W	WHITE
422562-00	CLD	1,42	LED COB-2888lm-4000K-15°-CRI 90	42 W	GREY9006
422563-00	CLD	1,42	LED COB-2888lm-4000K-15°-CRI 90	42 W	GRAPHITE
422566-00	CLD	1,42	LED COB-3013lm-4000K-30°-CRI 90	42 W	GREY9006
422567-00	CLD	1,42	LED COB-3013lm-4000K-30°-CRI 90	42 W	WHITE
422560-0041	CLD CELLDD	1,50	LED COB-1843lm-4000K-15°-CRI 90	28 W	GREY9006
422561-0041	CLD CELLDD	1,50	LED COB-1843lm-4000K-15°-CRI 90	28 W	GRAPHITE
422564-0041	CLD CELLDD	1,50	LED COB-1923lm-4000K-30°-CRI 90	28 W	GREY9006
422565-0041	CLD CELLDD	1,50	LED COB-1923lm-4000K-30°-CRI 90	28 W	GRAPHITE
422562-0041	CLD CELLDD	1,50	LED COB-2888lm-4000K-15°-CRI 90	41 W	GREY9006
422563-0041	CLD CELLDD	1,50	LED COB-2888lm-4000K-15°-CRI 90	41 W	GRAPHITE
422566-0041	CLD CELLDD	1,50	LED COB-3013lm-4000K-30°-CRI 90	41 W	GREY9006
422567-0041	CLD CELLDD	1,50	LED COB-3013lm-4000K-30°-CRI 90	41 W	GRAPHITE
422560-39	CLD	1,38	LED COB-1750lm-3000K - 15°-CRI 90	28 W	GREY9006
422561-39	CLD	1,41	LED COB-1750lm-3000K - 15°-CRI 90	28 W	WHITE
422564-39	CLD	1,41	LED COB-1826lm-3000K - 30°-CRI 90	28 W	GREY9006
422565-39	CLD	1,40	LED COB-1826lm-3000K - 30°-CRI 90	28 W	WHITE
422562-39	CLD	1,42	LED COB-2743lm-3000K - 15°-CRI 90	42 W	GREY9006
422563-39	CLD	1,42	LED COB-2743lm-3000K - 15°-CRI 90	42 W	WHITE
422566-39	CLD	1,42	LED COB-2862lm-3000K - 30°-CRI 90	42 W	GREY9006
422567-39	CLD	1,42	LED COB-2862lm-3000K - 30°-CRI 90	42 W	WHITE

The reported luminous flux is the flux emitted by the light source with a tolerance of ± 10% compared to the indicated value. The W tot column indicates the total wattage absorbed by the system without exceeding 10% of the indicated