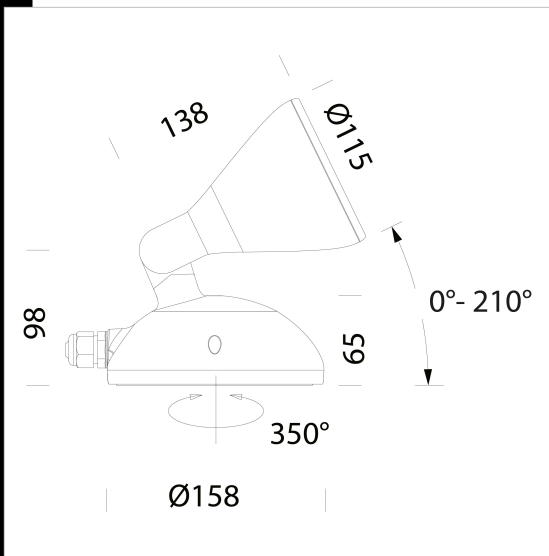


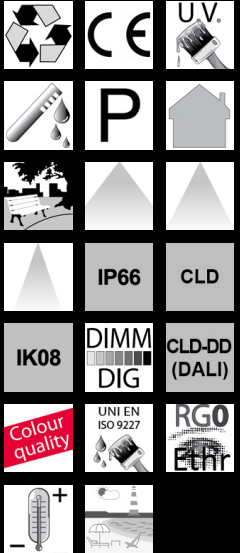
2567 Podio - with reflector



Housing/frame: in die-cast aluminium with central articulated joint in die-cast aluminium. Base: in die-cast aluminium. Reflector: in high-performance silver aluminium. Diffuser: in extra clear tempered glass, 4 mm thick, resistant to thermal shocks and impacts. Graphite coating: the standard liquid immersion coating consists of a first metal surface pre-treatment stage for marine environments in compliance with UNI EN ISO 9227 regulation, a successive epoxy cataphoresis corrosion and salt resistant coating, and a final layer of bi-component acrylic liquid UV-stabilised coating. Grey 9006 coating: the standard powder coating consists of a first metal surface pre-treatment stage for marine environments in compliance with UNI EN ISO 9227 regulation and of single layer of UV-stabilised, corrosion and salt resistant polyester powder coating. Standard Supply: electronic safety device to protect the LED module and the related ballast compliant with EN 61547.. On request: DIMM 1/10V LED: Power factor 0.92. LED: Luminous flux maintenance 80%: 50.000h (L80B20).



Code	Gear	Kg	Lumen Output-K-CRI	WTot	Colour
422540-00	CLD	1,42	LED COB-2832lm-4000K-13°-CRI 90	28 W	GREY9006
422541-00	CLD	1,44	LED COB-2832lm-4000K-13°-CRI 90	28 W	GRAPHITE
422544-00	CLD	1,44	LED COB-2920lm-4000K-28°-CRI 90	28 W	GREY9006
422545-00	CLD	1,42	LED COB-2920lm-4000K-28°-CRI 90	28 W	GRAPHITE
422548-00	CLD	1,44	LED COB-2916lm-4000K-48°-CRI 90	28 W	GREY9006
422549-00	CLD	1,44	LED COB-2916lm-4000K-48°-CRI 90	28 W	GRAPHITE
422542-00	CLD	1,38	LED COB-3725lm-4000K-13°-CRI 90	42 W	GREY9006
422543-00	CLD	1,38	LED COB-3725lm-4000K-13°-CRI 90	42 W	GRAPHITE
422546-00	CLD	1,38	LED COB-3842lm-4000K-28°-CRI 90	42 W	GREY9006
422547-00	CLD	1,38	LED COB-3842lm-4000K-28°-CRI 90	42 W	GRAPHITE
422550-00	CLD	1,38	LED COB-3836lm-4000K-48°-CRI 90	42 W	GREY9006
422551-00	CLD	1,38	LED COB-3836lm-4000K-48°-CRI 90	42 W	GRAPHITE
422540-0041	CLD-D-D	1,42	LED COB-2832lm-4000K-13°-CRI 90	28 W	GREY9006
422541-0041	CLD-D-D	1,44	LED COB-2832lm-4000K-13°-CRI 90	28 W	GRAPHITE
422544-0041	CLD CELLDD	1,50	LED COB-2920lm-4000K-28°-CRI 90	28 W	GREY9006
422545-0041	CLD CELLDD	1,50	LED COB-2920lm-4000K-28°-CRI 90	28 W	GRAPHITE
422548-0041	CLD CELLDD	1,50	LED COB-2916lm-4000K-48°-CRI 90	28 W	GREY9006
422549-0041	CLD CELLDD	1,50	LED COB-2916lm-4000K-48°-CRI 90	28 W	GRAPHITE
422542-0041	CLD CELLDD	1,50	LED COB-3725lm-4000K-13°-CRI 90	41 W	GREY9006
422543-0041	CLD CELLDD	1,50	LED COB-3725lm-4000K-13°-CRI 90	41 W	GRAPHITE
422546-0041	CLD CELLDD	1,50	LED COB-3842lm-4000K-28°-CRI 90	41 W	GREY9006
422547-0041	CLD CELLDD	1,50	LED COB-3842lm-4000K-28°-CRI 90	41 W	GRAPHITE
422550-0041	CLD-D-D	1,38	LED COB-3836lm-4000K-48°-CRI 90	42 W	GREY9006
422551-0041	CLD-D-D	1,40	LED COB-3836lm-4000K-48°-CRI 90	42 W	GRAPHITE
422540-39	CLD CELL	1,36	LED COB-2690lm-3000K - 13°-CRI 90	30 W	GREY9006
422541-39	CLD CELL	1,36	LED COB-2690lm-3000K - 13°-CRI 90	30 W	GRAPHITE
422544-39	CLD CELL	1,36	LED COB-2773lm-3000K - 28°-CRI 90	28 W	GREY9006
422545-39	CLD CELL	1,36	LED COB-2773lm-3000K - 28°-CRI 90	30 W	GRAPHITE
422548-39	CLD CELL	1,38	LED COB-2769lm-3000K - 48°-CRI 90	28 W	GREY9006
422549-39	CLD CELL	1,39	LED COB-2769lm-3000K - 48°-CRI 90	30 W	GRAPHITE
422542-39	CLD CELL	1,36	LED COB-3538lm-3000K - 13°-CRI 90	40 W	GREY9006
422543-39	CLD CELL	1,36	LED COB-3538lm-3000K - 13°-CRI 90	0 W	GRAPHITE



- Download**
- DXF 2D  
- 2567.dxf
  - 3DS  
- disano\_2567\_podio.3ds
  - 3DM  
- disano\_2567\_podio.3dm
  - Montaggi  
- podio 12-20.pdf
  - BIM  
- 2567 Podio - with reflector - 20200611.zip

The reported luminous flux is the flux emitted by the light source with a tolerance of ± 10% compared to the indicated value. The W tot column indicates the total wattage absorbed by the system without exceeding 10% of the indicated

2567 Podio - with reflector

Code	Gear	Kg	Lumen Output-K-CRI	WTot	Colour
422546-39	CLD CELL	1,38	LED COB-3650lm-3000K - 28°-CRI 90	42 W	GREY9006
422547-39	CLD CELL	1,36	LED COB-3650lm-3000K - 28°-CRI 90	40 W	GRAPHITE
422550-39	CLD CELL	1,38	LED COB-3644lm-3000K - 48°-CRI 90	40 W	GREY9006
422551-39	CLD CELL	1,38	LED COB-3644lm-3000K - 48°-CRI 90	40 W	GRAPHITE

The reported luminous flux is the flux emitted by the light source with a tolerance of  $\pm 10\%$  compared to the indicated value. The W tot column indicates the total wattage absorbed by the system without exceeding 10% of the indicated