

## 2567 Podio Amber - with reflector

Housing/frame: in die-cast aluminium with central articulated joint in die-cast aluminium. Base: in die-cast aluminium. Reflector: in high-performance silver aluminium. Diffuser: in extra clear tempered glass, 4 mm thick, resistant to thermal shocks and impacts. Graphite coating: the standard liquid immersion coating consists of a first metal surface pre-treatment stage for marine environments in compliance with UNI EN ISO 9227 regulation, a successive epoxy cataphoresis corrosion and salt resistant coating, and a final layer of bi-component acrylic liquid UV-stabilised coating.

Grey 9006 coating: the standard powder coating consists of a first metal surface pre-treatment stage for marine environments in compliance with UNI EN ISO 9227 regulation and of single layer of UV-stabilised, corrosion and salt resistant polyester powder coating.

Standard Supply: electronic safety device to protect the LED module and the related ballast compliant with EN 61547.. On request: DIMM 1/10V LED: Power factor 0.92. LED: Luminous flux maintenance 80%: 50.000h (L80B20).

### Download

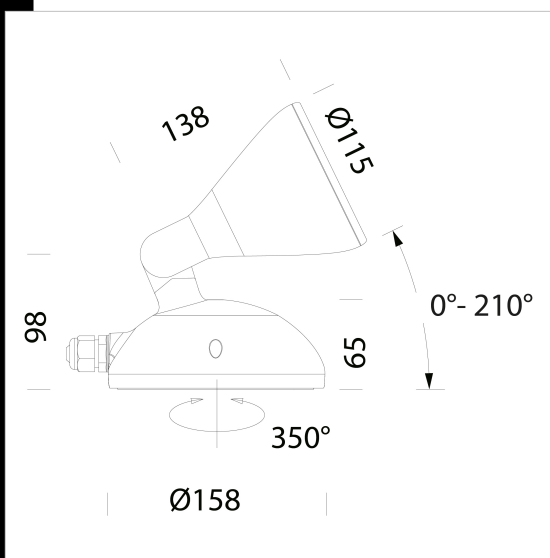
DXF 2D  
- 2567.dxf

3DS  
- disano\_2567\_podio.3ds

3DM  
- disano\_2567\_podio.3dm

Montaggi  
- podio 12-20.pdf

BIM  
- 2567 Podio Amber - with reflector - 20200611.zip



Code	Gear	Kg	Lumen Output-K-CRI	WTot	Colour
422540-73	CLD CELL	1,50	LED COB AMBER-2897lm-2200K - 13° - amber-	28 W	GREY9006
422541-73	CLD CELL	1,50	LED COB AMBER-2897lm-2200K - 13° - amber-	28 W	GRAPHITE
422544-73	CLD CELL	1,50	LED COB AMBER-2987lm-2200K - 28° - amber-	28 W	GREY9006
422545-73	CLD CELL	1,50	LED COB AMBER-2987lm-2200K - 28° - amber-	28 W	GRAPHITE
422548-73	CLD CELL	1,50	LED COB AMBER-2983lm-2200K-48°-amber-	28 W	GREY9006
422549-73	CLD CELL	1,34	LED COB AMBER-2983lm-2200K - 48° - amber-	28 W	GRAPHITE
422542-73	CLD CELL	1,36	LED COB AMBER-3810lm-2200K - 13° - amber-	40 W	GREY9006
422543-73	CLD CELL	1,50	LED COB AMBER-3810lm-2200K - 13° - amber-	42 W	GRAPHITE
422546-73	CLD CELL	1,38	LED COB AMBER-3930lm-2200K - 28° - amber-	40 W	GREY9006
422547-73	CLD CELL	1,50	LED COB AMBER-3930lm-2200K - 28° - amber-	42 W	GRAPHITE
422551-73	CLD CELL	1,50	LED COB AMBER-3924lm-2200K - 48° - amber-	42 W	GREY9006
422550-73	CLD CELL	1,50	LED COB AMBER-3924lm-2200K - 48° - amber-	42 W	GRAPHITE

### Accessori



- 119 peg

The reported luminous flux is the flux emitted by the light source with a tolerance of  $\pm 10\%$  compared to the indicated value. The W tot column indicates the total wattage absorbed by the system without exceeding 10% of the indicated