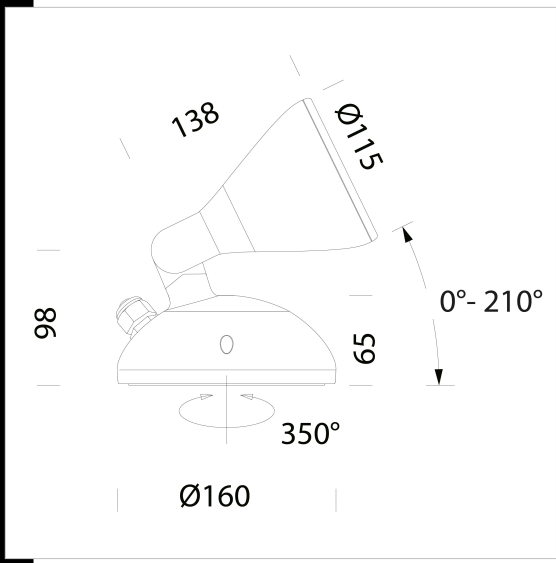


2565 Podio - with reflector

Housing/frame: in die-cast aluminium with central articulated joint in die-cast aluminium. Base: in die-cast aluminium. Reflector: in high-performance silver aluminium. Diffuser: in extra clear tempered glass, 4 mm thick, resistant to thermal shocks and impacts. Graphite coating: the standard liquid immersion coating consists of a first metal surface pre-treatment stage for marine environments in compliance with UNI EN ISO 9227 regulation, a successive epoxy cataphoresis corrosion and salt resistant coating, and a final layer of bi-component acrylic liquid UV-stabilised coating. Grey 9006 coating: the standard powder coating consists of a first metal surface pre-treatment stage for marine environments in compliance with UNI EN ISO 9227 regulation and of single layer of UV-stabilised, corrosion and salt resistant polyester powder coating. Standard Supply: electronic safety device to protect the LED module and the related ballast compliant with EN 61547.. On request: DIMM 1/10V LED: Power factor 0.92. LED: Luminous flux maintenance 80%: 50.000h (L80B20).



- Download**
- DXF 2D
- 2565.dxf
 - 3DS
- disano_2565_podio.3ds
 - 3DM
- disano_2565_podio.3dm
 - Montaggi
- podio 12-20.pdf
 - BIM
- 2565 Podio - with reflector - 20200611.zip

Code	Gear	Kg	Lumen Output-K-CRI	WTot	Colour
422510-00	CLD	1.42	LED COB-2832lm-4000K-13°-CRI 90	28 W	GREY9006
422511-00	CLD	1.44	LED COB-2832lm-4000K-13°-CRI 90	28 W	GRAPHITE
422514-00	CLD	1.42	LED COB-2920lm-4000K-28°-CRI 90	28 W	GREY9006
422515-00	CLD	1.44	LED COB-2920lm-4000K-28°-CRI 90	28 W	GRAPHITE
422518-00	CLD	1.42	LED COB-2916lm-4000K-48°-CRI 90	28 W	GREY9006
422519-00	CLD	1.42	LED COB-2916lm-4000K-48°-CRI 90	28 W	GRAPHITE
422512-00	CLD	1.36	LED COB-3725lm-4000K-13°-CRI 90	42 W	GREY9006
422513-00	CLD	1.38	LED COB-3725lm-4000K-13°-CRI 90	42 W	GRAPHITE
422516-00	CLD	1.38	LED COB-3842lm-4000K-28°-CRI 90	42 W	GREY9006
422517-00	CLD	1.38	LED COB-3842lm-4000K-28°-CRI 90	42 W	GRAPHITE
422558-00	CLD	1.38	LED COB-3836lm-4000K-48°-CRI 90	42 W	GREY9006
422559-00	CLD	1.38	LED COB-3836lm-4000K-48°-CRI 90	42 W	GRAPHITE
422510-0041	CLD CELLDD	1.50	LED COB-2832lm-4000K-13°-CRI 90	28 W	GREY9006
422511-0041	CLD CELLDD	1.50	LED COB-2832lm-4000K-13°-CRI 90	28 W	GRAPHITE
422514-0041	CLD CELLDD	1.50	LED COB-2920lm-4000K-28°-CRI 90	28 W	GREY9006
422515-0041	CLD CELLDD	1.50	LED COB-2920lm-4000K-28°-CRI 90	28 W	GRAPHITE
422518-0041	CLD CELLDD	1.50	LED COB-2916lm-4000K-48°-CRI 90	28 W	GREY9006
422519-0041	CLD CELLDD	1.50	LED COB-2916lm-4000K-48°-CRI 90	28 W	GRAPHITE
422512-0041	CLD CELLDD	1.50	LED COB-3725lm-4000K-13°-CRI 90	41 W	GREY9006
422513-0041	CLD CELLDD	1.50	LED COB-3725lm-4000K-13°-CRI 90	41 W	GRAPHITE
422516-0041	CLD CELL-D-D	1.38	LED COB-3842lm-4000K-28°-CRI 90	42 W	GREY9006
422517-0041	CLD CELLDD	1.50	LED COB-3842lm-4000K-28°-CRI 90	41 W	GRAPHITE
422558-0041	CLD CELLDD	1.50	LED COB-3836lm-4000K-48°-CRI 90	41 W	GREY9006
422559-0041	CLD CELLDD	1.50	LED COB-3836lm-4000K-48°-CRI 90	41 W	GRAPHITE
422510-39	CLD	1.34	LED COB-2690lm-3000K - 13°-CRI 90	28 W	GREY9006
422511-39	CLD	1.36	LED COB-2690lm-3000K - 13°-CRI 90	28 W	GRAPHITE
422514-39	CLD	1.36	LED COB-2773lm-3000K - 28°-CRI 90	28 W	GREY9006
422515-39	CLD	1.36	LED COB-2773lm-3000K - 28°-CRI 90	28 W	GRAPHITE
422518-39	CLD	1.34	LED COB-2769lm-3000K - 48°-CRI 90	28 W	GREY9006
422519-39	CLD	1.34	LED COB-2769lm-3000K - 48°-CRI 90	28 W	GRAPHITE
422512-39	CLD	1.36	LED COB-3538lm-3000K - 13°-CRI 90	40 W	GREY9006
422513-39	CLD	1.38	LED COB-3538lm-3000K - 13°-CRI 90	40 W	GRAPHITE

The reported luminous flux is the flux emitted by the light source with a tolerance of ± 10% compared to the indicated value. The W tot column indicates the total wattage absorbed by the system without exceeding 10% of the indicated

2565 Podio - with reflector

Code	Gear	Kg	Lumen Output-K-CRI	WTot	Colour
422516-39	CLD	1.36	LED COB-3650lm-3000K - 28°-CRI 90	40 W	GREY9006
422517-39	CLD	1.36	LED COB-3650lm-3000K - 28°-CRI 90	40 W	GRAPHITE
422558-39	CLD	1.54	LED COB-3644lm-3000K - 48°-CRI 90	40 W	GREY9006
422559-39	CLD	1.36	LED COB-3644lm-3000K - 48°-CRI 90	40 W	GRAPHITE

Accessories



- 119 peg

The reported luminous flux is the flux emitted by the light source with a tolerance of $\pm 10\%$ compared to the indicated value. The W tot column indicates the total wattage absorbed by the system without exceeding 10% of the indicated