

## 1570 Clima - LED

Housing: In die-cast aluminium.

Cap: In sheet steel.

Diffuser: In vandal-resistant, V2 self-extinguishing polycarbonate, UV stabilised. Smooth and clear both inside and outside. The diffuser houses a louvre to direct the light beam downwards.

Painting: the standard liquid immersion coating consists of a first metal surface pre-treatment stage, a successive epoxy cataphoresis corrosion and salt resistant coating, and a final layer of bi-component acrylic liquid UV-stabilised coating.

Gear: temperature control device inside the lamp with automatic recovery. Complete with socket-plug.

Mounting: On pole Ø 60 mm or arm.

Regulations: Produced according to applicable EN60598-1 CEI 34-21 standards, IP65IK08 degree of protection according to EN 60529 standards. Isulation class II

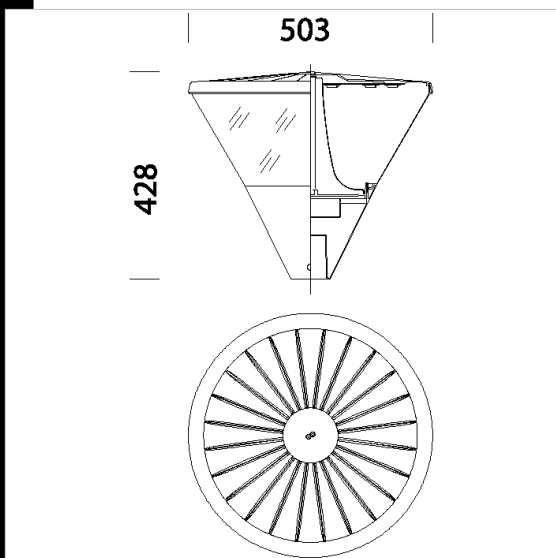
The total return of the equipment is close to 100%. Ta-20+40°C life 80%: >100.000h (L80B10). Photobiological safety class: exempt group EN62471.

**BASIC PROG (BASIC CLD) AVAILABLE FUNCTIONS**

Luminous flux setup: This can be done by programming the drive current values requested when ordering/purchasing the fixture.

Upon request:

- Coating compliant with UNI EN ISO 9227 Corrosion tests in artificial atmospheres for aggressive environments.
- with power supply 1-10 V dimmable with subcode 12.
- with virtual midnight subcode 30.
- power line carrier remote control systems subcode 0078.



### Download

- DXF 2D  
- 1570.dxf
- 3DS  
- disano\_1570\_clima.3ds
- 3DM  
- disano\_1570\_clima.3dm
- Montaggi  
- polar clima 07-20.pdf
- BIM  
- 1570 Clima - LED - 20200616.zip

Code	Gear	Kg	Lumen Output-K-CRI	WTot	Colour	Surge
422400-0016	CLD	5,90	LED-7968lm-4000K-CRI 70	77 W	GREY9007	6/10kV
422401-0016	CLD	6,00	LED-7968lm-4000K-CRI 70	77 W	GRAPHITE	6/10kV
422400-00	CLD	5,74	LED-8387lm-4000K-CRI 70	77 W	GREY9007	6/10kV
422401-00	CLD	5,88	LED-8387lm-4000K-CRI 70	77 W	GRAPHITE	6/10kV
422403-00	CLD	3,44	LED-1903lm-350mA-4000K-CRI 70	13 W	GREY9007	6/10kV
422404-00	CLD	3,62	LED-1903lm-350mA-4000K-CRI 70	13 W	GRAPHITE	6/10kV
422400-39	CLD	5,90	LED-7800lm-3000K-CRI 70	77 W	GREY9007	6/10kV
422401-39	CLD	6,04	LED-7800lm-3000K-CRI 70	77 W	GRAPHITE	6/10kV
422403-39	CLD CELL	3,58	LED-1770lm-350mA-3000K-CRI 70	13 W	GREY9007	6/10kV
422404-39	CLD CELL	3,64	LED-1770lm-350mA-3000K-CRI 70	13 W	GRAPHITE	6/10kV
422400-56	CLD CELL	5,90	LED-5539lm-4000K-CRI>70	49 W	GREY9007	6/10kV
422401-56	CLD CELL	6,52	LED-5539lm-4000K-CRI>70	49 W	GRAPHITE	6/10kV

### Pall



- 1508 fluted pole ø120 with base



- 1509 fluted pole ø120



- 1408 fluted ø100 pole with base



- 1481 tapered steel lighting pole to be buried



- 1480 tapered steel lighting pole with base



- 5 fiberglass pole



- 1409 fluted pole ø100



- 1477 Urban mast with base



- 1478 Urban to be sunk into the ground

The reported luminous flux is the flux emitted by the light source with a tolerance of ± 10% compared to the indicated value. The W tot column indicates the total wattage absorbed by the system without exceeding 10% of the indicated