



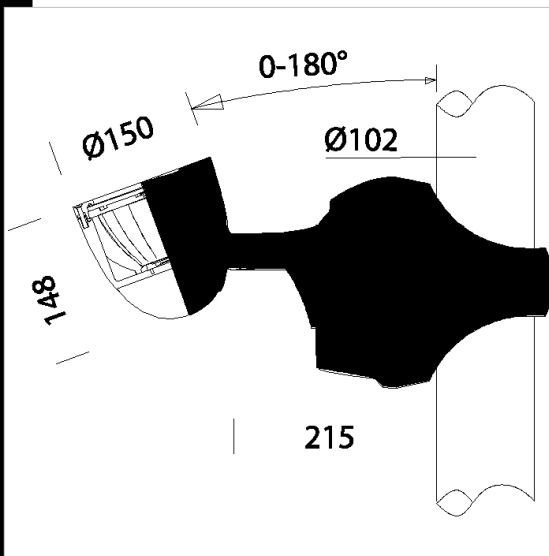
Download

- DXF 2D
- 1561.dxf
- 3DS
- disano_1561_elfo.3ds
- 3DM
- disano_1561_elfo.3dm
- Montaggi
- pegaso.pdf
- 1561grapp.dxf
- 1561pegaso.dxf



1561 Elfo LED for Pegaso - COB

Housing: Die-cast aluminium with cooling fins
 Diffuser: Tempered glass 4 mm thermal shock and impact resistant
 Coating: the standard liquid immersion coating consists of a first metal surface pre-treatment stage, a successive epoxy cataphoresis corrosion and salt resistant coating, and a final layer of bi-component acrylic liquid UV-stabilised coating.
 Equipment: Silicone rubber gasket. Fibreglass nylon cable gland, Ø ½ " gas. temperature control device inside the lamp with automatic recovery. Safety diode to protect against voltage peaks pursuant to EN61547. Dedicated electronic device to protect the LED module.
 Regulations: Manufactured in compliance with EN60598 - CEI 34 - 21 standards. The level of protection complies with the EN60529 standard. life 50.000h at 70% L70B50. Photobiological safety class: exempt group EN62471.



| Code | Gear | Kg | Lumen Output-K-CRI | WTot | Colour |
|-----------|------|------|------------------------------------|------|----------|
| 422398-00 | CLD | 3.82 | LED-3531lm-1050mA-4000K-22°-CRI 90 | 43 W | GREY9007 |

Accessories



- 389 Pegaso wall mounted



- 388 double Pegaso



- 387 single Pegaso



- 299

Posts



- 1487 poles to be sunk into the ground ø102



- 1485 pole with base ø102

The reported luminous flux is the flux emitted by the light source with a tolerance of ± 10% compared to the indicated value. The W tot column indicates the total wattage absorbed by the system without exceeding 10% of the indicated