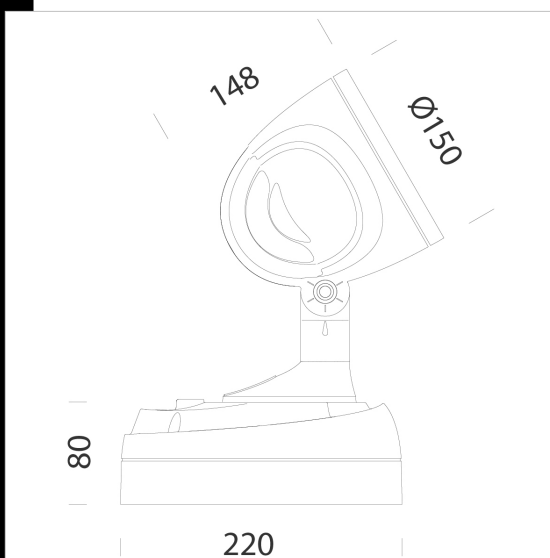


1564 Elfo LED - FS - COB



A complete product designed to fulfil the needs of any lighting designer  
 Housing: Die-cast aluminium with cooling fins  
 Reflector: Anodised and polished turned aluminium  
 Diffuser: Tempered glass 4 mm thermal shock and impact resistant  
 Coating: the standard liquid immersion coating consists of a first metal surface pre-treatment stage, a successive epoxy cataphoresis corrosion and salt resistant coating, and a final layer of bi-component acrylic liquid UV-stabilised coating.  
 Equipment: Silicone rubber gasket. Fibreglass nylon cable gland, Ø ½ " gas.  
 Regulations: Manufactured in compliance with EN60598 - CEI 34 - 21 standards. The level of protection complies with the EN60529 standard. life 50.000h at 80% L80B20  
 Photobiological safety class: risk group 1, not dangerous



Code	Gear	Kg	Lumen Output-K-CRI	WTot	Colour	Surge
422396-00	CLD	2,71	LED COB-2119lm-4000K-15°-CRI 90	28 W	GREY9007	1/2kV
422397-00	CLD	2,46	LED COB-2119lm-4000K-15°-CRI 90	28 W	GRAPHITE	1/2kV
422396-73	CLD	2,40	LED COB AMBER-2373lm-2200K-amber-15°-	28 W	GREY9007	1/2kV
422397-73	CLD	2,48	LED COB AMBER-2373lm-2200K-amber-15°-	28 W	GRAPHITE	1/2kV
422394-00	CLD	2,67	LED COB-3531lm-4000K-15°-CRI 90	41 W	GREY9007	1/2kV
422395-00	CLD	2,73	LED COB-3531lm-4000K-15°-CRI 90	41 W	GRAPHITE	1/2kV
422394-73	CLD	2,52	LED COB AMBER-4095lm-2200K-amber-15°-	42 W	GREY9007	1/2kV
422395-73	CLD	2,56	LED COB AMBER-4095lm-2200K-amber-15°-	42 W	GRAPHITE	1/2kV
432838-00	CLD	2,83	LED COB-5800lm-4000K-15°-CRI 80	54 W	GREY9007	1/2kV
432839-00	CLD	2,60	LED COB-5800lm-4000K-15°-CRI 80	54 W	GRAPHITE	1/2kV
432838-73	CLD	2,50	LED COB AMBER-5740lm-2200K - 15° - amber-	57 W	GREY9007	1/2kV
432839-73	CLD	2,52	LED COB AMBER-5740lm-2200K - 15° - amber-	57 W	GRAPHITE	1/2kV

Accessori



- 116 corner support



- 119 peg



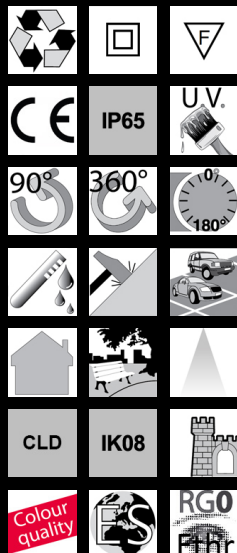
- 120 pole mount



- 189 coloured filter



- 188 plate



LOW  
FLICKER

Download

- DXF 2D  
- elfoled.dxf
- 3DS  
- disano\_1564\_elfo.3ds
- 3DM  
- disano\_1564\_elfo.3dm
- Montaggi  
- elfo.pdf

The reported luminous flux is the flux emitted by the light source with a tolerance of ± 10% compared to the indicated value. The W tot column indicates the total wattage absorbed by the system without exceeding 10% of the indicated