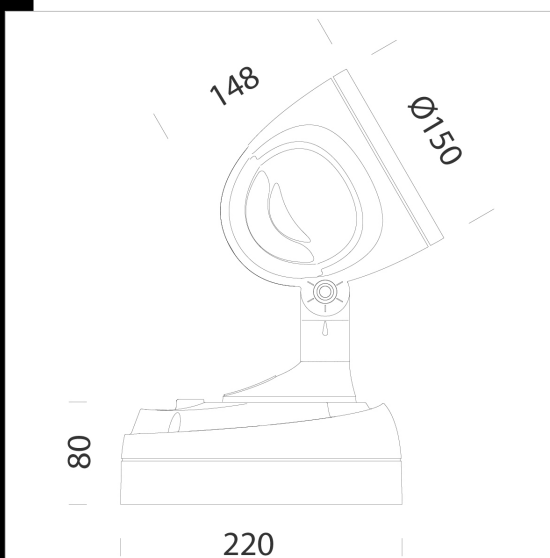


1515 Elfo LED - FL - COB

A complete product designed to fulfil the needs of any lighting designer
 Housing: Die-cast aluminium with cooling fins
 Reflector: Anodised and polished turned aluminium
 Diffuser: Tempered glass 4 mm thermal shock and impact resistant
 Coating: the standard liquid immersion coating consists of a first metal surface pre-treatment stage, a successive epoxy cataphoresis corrosion and salt resistant coating, and a final layer of bi-component acrylic liquid UV-stabilised coating.
 Equipment: Silicone rubber gasket. Fibreglass nylon cable gland, Ø ½ " gas.
 Regulations: Manufactured in compliance with EN60598 - CEI 34 - 21 standards. The level of protection complies with the EN60529 standard.
 life 50.000h at 80% L80B20
 Photobiological safety class: exempt group

Download

- DXF 2D
- elfoled.dxf
- 3DS
- disano_1515_elfo.3ds
- 3DM
- disano_1515_elfo.3dm
- Montaggi
- elfo.pdf



Code	Gear	Kg	Lumen Output-K-CRI	WTot	Colour	Surge
422392-00	CLD	2,73	LED COB-2140lm-4000K-40°-CRI 90	28 W	GREY9007	1/2kV
422393-00	CLD	2,71	LED COB-2140lm-4000K-40°-CRI 90	28 W	GRAPHITE	1/2kV
422392-73	CLD	2,48	LED COB AMBER-2396lm-2200K-amber-40°-	28 W	GREY9007	1/2kV
422393-73	CLD	2,54	LED COB AMBER-2396lm-2200K-amber-40°-	28 W	GRAPHITE	1/2kV
422390-00	CLD	2,67	LED COB-3198lm-4000K-40°-CRI 90	41 W	GREY9007	1/2kV
422391-00	CLD	2,71	LED COB-3198lm-4000K-40°-CRI 90	41 W	GRAPHITE	1/2kV
422390-73	CLD	2,54	LED COB AMBER-3709lm-2200K-amber-40°-	42 W	GREY9007	1/2kV
422391-73	CLD	2,52	LED COB AMBER-3709lm-2200K-amber-40°-	42 W	GRAPHITE	1/2kV
432836-00	CLD	2,56	LED COB-5300lm-4000K-40°-CRI 80	54 W	GREY9007	1/2kV
432837-00	CLD	2,58	LED COB-5300lm-4000K-40°-CRI 80	54 W	GRAPHITE	1/2kV
432836-73	CLD	2,67	LED COB AMBER-5200lm-2200K-amber-40°-	57 W	GREY9007	1/2kV
432837-73	CLD	2,52	LED COB AMBER-5200lm-2200K-amber-40°-	57 W	GRAPHITE	1/2kV

Accessori



- 188 plate



- 119 peg



- 116 corner support



- 120 pole mount

The reported luminous flux is the flux emitted by the light source with a tolerance of ± 10% compared to the indicated value. The W tot column indicates the total wattage absorbed by the system without exceeding 10% of the indicated