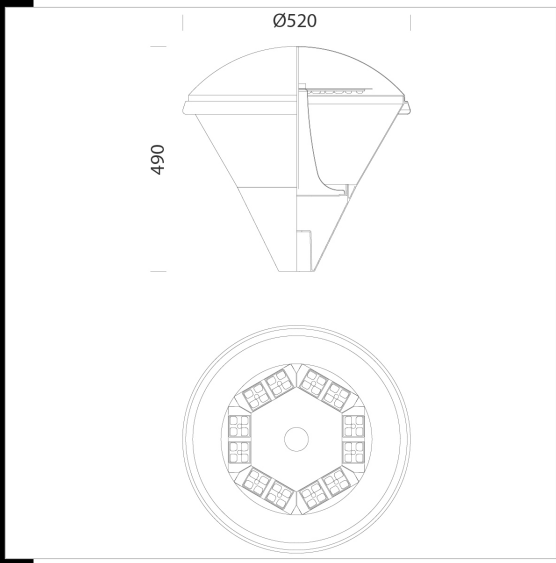




### 1518 Clima LED against light pollution

**HOUSING:** in die-cast aluminium.  
**COVER:** in aluminium plating.  
**DIFFUSER:** in shatterproof and self-extinguishing V2 UV-stabilised polycarbonate. Smooth and clear surface both inside and outside.  
**COATING:** the standard liquid immersion coating consists of a first metal surface pre-treatment stage, a successive epoxy cataphoresis corrosion and salt resistant coating, and a final layer of bi-component acrylic liquid UV-stabilised coating.  
**EQUIPMENT:** electronic device for automatic temperature control. In the event of unexpected temperature rise caused by particular weather conditions, the system will reduce the luminous flux to lower the working temperature and guarantee proper operation. Complete with socket-plug connector for quick installation.  
**MOUNTING:** suitable for poles with a diameter of 60 mm or mounting arm.  
**STANDARDS:** manufactured pursuant to EN 60598 and with an IP65K08 degree of protection pursuant to EN 60529. Insulation class 2.  
 Surface exposed to wind: 1506 cm<sup>2</sup>.  
 Luminous flux maintenance 80%: 80.000h (L80B20).  
**BASIC PROG (BASIC CLD) AVAILABLE FUNCTIONS**  
 Luminous flux setup: This can be done by programming the drive current values requested when ordering/purchasing the fixture.




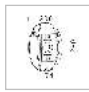


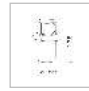



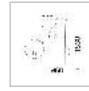


- Upon request:
- Coating compliant with UNI EN ISO 9227 Corrosion tests in artificial atmospheres for aggressive environments.
  - with power supply 1-10 V dimmable with subcode 12.
  - with virtual midnight subcode 30.
  - power line carrier remote control systems subcode 0078.










- Download**  
 DXF 2D  
 - 1517-18.dxf  
 3DS  
 - disano\_1518\_clima.3ds  
 3DM  
 - disano\_1518\_clima.3dm  
 Montaggi  
 - polar clima 07-20.pdf  
 BIM  
 - 1518 Clima LED against light pollution - 20200616.zip

Code	Gear	Kg	Lumen Output-K-CRI	WTot	Colour	Surge
422380-00	CLD	5.90	LED-4028lm-4000K-CRI>70	37 W	GREY9007	6/10kV
422381-00	CLD	5.90	LED-4028lm-4000K-CRI>70	37 W	GRAPHITE	6/10kV

#### Accessories

 - 211 connector Sector	 - 300 Oliva	 - 301 Oliva arm	 - 302 attacco parete
 - 1464 Corona	 - 1465 flange ø120	 - 303 ø 60 connection	 - 1365 flange ø100
 - 1364 Corona ø100	 - 1373 bent arm	 - 1473 bent arm	

#### Posts

 - 1508 fluted pole ø120 with base	 - 1509 fluted pole ø120	 - 1408 fluted ø100 pole with base	 - 1481 tapered steel lighting pole to be buried
 - 1480 tapered steel lighting pole with base	 - 5 fiberglass pole	 - 1409 fluted pole ø100	 - 1477 Urban mast with base
 - 1478 Urban to be sunk into the ground			

The reported luminous flux is the flux emitted by the light source with a tolerance of ± 10% compared to the indicated value. The W tot column indicates the total wattage absorbed by the system without exceeding 10% of the indicated