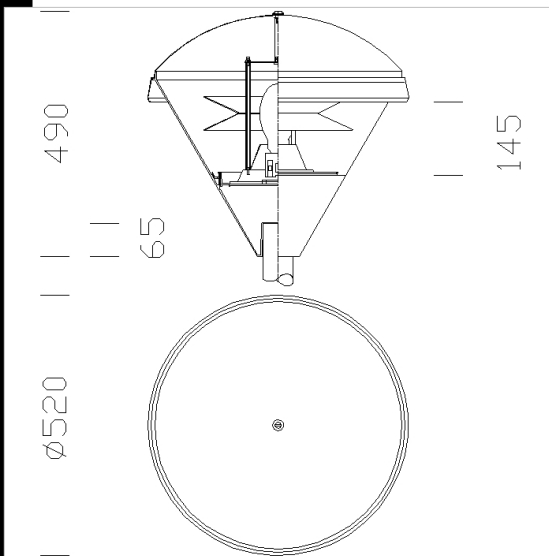


1514 Clima for zona 1

Housing: In die-cast aluminium.
 Cap: In sheet steel.
 Diffuser: In vandal-resistant, V2 self-extinguishing polycarbonate, UV stabilised. Smooth and clear both inside and outside. The diffuser houses a louvre to direct the light beam downwards.
 Painting: the standard liquid immersion coating consists of a first metal surface pre-treatment stage, a successive epoxy cataphoresis corrosion and salt resistant coating, and a final layer of bi-component acrylic liquid UV-stabilised coating.
 Lampholder: In ceramics, with silver-plated contacts.
 Electric gear: 230-240V/50Hz power supply. Wire PVC-HT sheath resistant up to 90°C, according to CEI 20-20 standards or silicone wire terminated with admiralty brass clamps, 1.0 sqmm cross-section. 2P terminal block with maximum allowed lead cross section of 2.5 sqmm.
 Equipment: 6.3A protection fuse. Rubber cable gland Ø ½" gas thread.
 Regulations: Produced according to applicable EN60598-1 CEI 34-21 standards, IP65IK08 degree of protection according to EN 60529 standards. It has been granted the ENEC European Certificate of Conformity. Isulation class II
 Wind surface: 1506 sqcm. SAP-E70 use lamp with built-in igniter



Download
 DXF 2D
 - 1514.dxf
 3DS
 - disano_1514_clima.3ds
 3DM
 - disano_1514_clima.3dm
 Montaggi
 - polar_clima.pdf

Code	Gear	Kg	Lumen-K-CRI	WTot	Base	Colour
422338-00	CNRL-F	5.70	CDO-ET 100-8800lm-2800K-Ra 1b	109 W	E40	GREY9007
422331-00	CNRL-F	5.10	SAP-T 70-6000lm-2000K-Ra 4	83 W	E27	GREY9007
422335-00	CNRL-F	5.30	JM-E 70-5000lm-4000k-Ra 1b	83 W	E27	GREY9007
422362-00	CNRL-F	5.58	SAP-T 100-9000lm-2000K-Ra 4	114 W	E40	GRAPHITE
422363-00	CNRL-F	5.08	JM-E 70-5000lm-4000k-Ra 1b	83 W	E27	GRAPHITE
422365-00	CNRL-F	5.70	CDO-ET 100-8800lm-2800K-Ra 1b	109 W	E40	GRAPHITE
422361-00	CNRL-F	5.26	SAP-T 70-6000lm-2000K-Ra 4	83 W	E27	GRAPHITE
422364-00	CNRL-F	5.08	JM-E 100-9000lm-3200K-Ra 2a	114 W	E27	GRAPHITE
422337-00	CNRL-F	5.70	JM-E 100-9000lm-3200K-Ra 2a	114 W	E27	GREY9007
422333-00	CNRL-F	5.70	SAP-T 100-9000lm-2000K-Ra 4	114 W	E40	GREY9007

Accessories



The reported luminous flux is the flux emitted by the light source with a tolerance of ± 10% compared to the indicated value. The W tot column indicates the total wattage absorbed by the system without exceeding 10% of the indicated

Accessories



- 1462 upward arm

The reported luminous flux is the flux emitted by the light source with a tolerance of $\pm 10\%$ compared to the indicated value. The W tot column indicates the total wattage absorbed by the system without exceeding 10% of the indicated