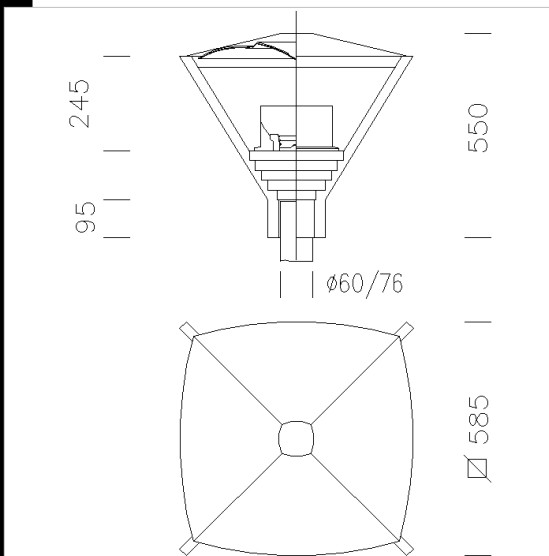


1598 Vista

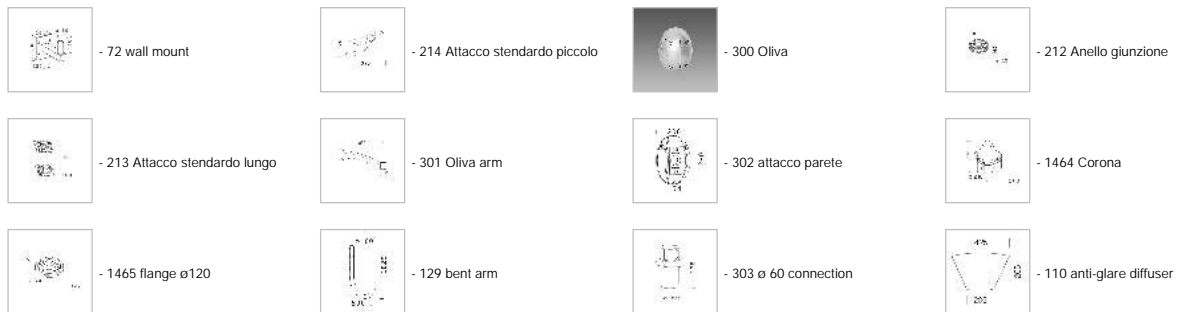
Housing/cover: In die-cast aluminium.
 Diffuser: In vandal resistant and V2 self-extinguishing polycarbonate, UV-stabilized, anti-yellowing, smooth and clear both inside and out.
 Reflector: Upper part in 6/8 μ thick anodized, pressed 99.85 aluminium, polished for high luminous efficiency. Lower part high-gloss plated.
 Painting: the standard liquid immersion coating consists of a first metal surface pre-treatment stage, a successive epoxy cataphoresis corrosion and salt resistant coating, and a final layer of bi-component acrylic liquid UV-stabilised coating.
 Lampholder: In ceramics, with silver plated contacts. Socket Rx7s.
 Electric gear: 230V/50Hz supply with thermal protection . Silicone wired terminated in admiralty brass; silicone double insulation; cross-section: 1 sqmm. 2P terminal block (maximum allowed lead cross-section: 2.5 sqmm).
 Equipment: Fiberglass nylon cable gland Ø 1/2 gas thread (cable min Ø 9 max Ø 12). Environment-friendly gasket. Removable control gear tray with lampholder, in fiberglass nylon. Complete with knife switch.
 Mounting: On pole Ø 76/60 mm or arm.
 Regulations: Produced according to applicable EN60598-1 CEI 34-21 standards, IP65IK08 degree of protection according to EN 60529 standards. It has been granted the ENEC European Certificate of Conformity.
 Insulation class II.
 Non-polluting louvre, ideal for installation in zone 1 (UNI10819).
 Wind surface: 1800 sqcm.



- Download**
 DXF 2D
 - 1598.dxf
 3DS
 - 1598_vista.3ds
 3DM
 - 1598_vista.3dm
 Montaggi
 - vista classic.pdf

Code	Gear	Kg	Lumen-K-CRI	WTot	Base	Colour
422310-00	CNR-L	11.80	SAP-TS 70-6800lm-2000K-Ra 4	82 W	Rx7s	GRAPHITE
422314-00	CNR-L	12.50	JM-TS 150-12000lm-4000K-Ra 1b	157 W	Rx7s	GRAPHITE
422311-00	CNR-L	11.80	JM-TS 70-6200lm-3000K-Ra 1b	91 W	Rx7s	GRAPHITE
422312-00	CNR-L	12.50	SAP-TS 150-15000lm-2000K-Ra 4	157 W	Rx7s	GRAPHITE

Accessories



The reported luminous flux is the flux emitted by the light source with a tolerance of ± 10% compared to the indicated value. The W tot column indicates the total wattage absorbed by the system without exceeding 10% of the indicated