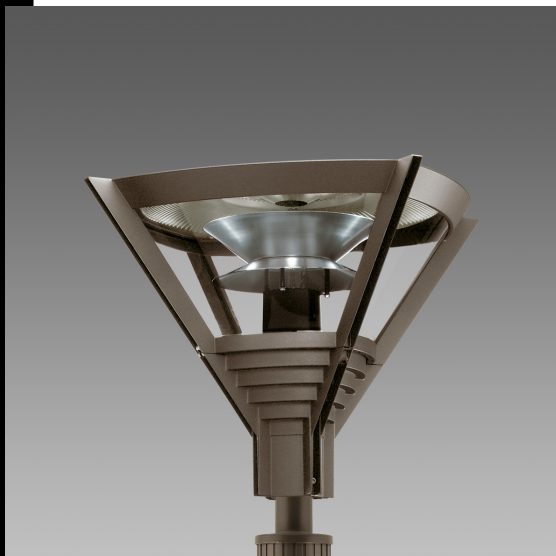
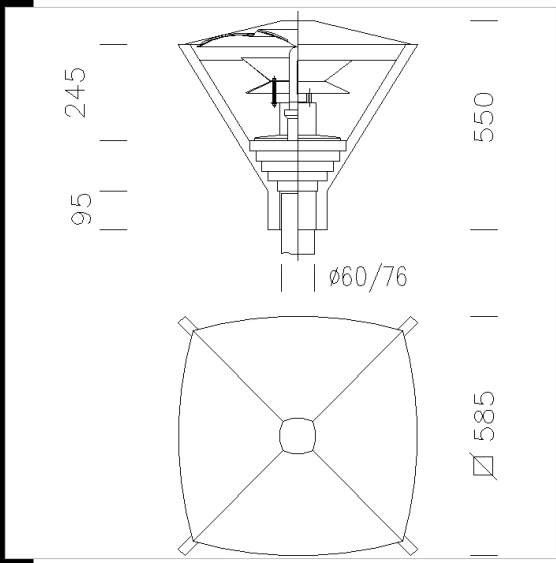


Download
DXF 2D
- 1599.dxf
Montaggi
- 1595-6-7-8-9_vista.pdf

1599 Vista



Housing/cover: In die-cast aluminium.
Diffuser: In vandal resistant and V2 self-extinguishing polycarbonate, UV-stabilized, anti-yellowing, smooth and clear both inside and out.
Reflector: Upper part in 6/8 μ thick anodized, pressed 99.85 aluminium, polished for high luminous efficiency.
Painting: In several stages. First stage: black epoxy cationic electrocoating, resistant to corrosive and saline environments. Second stage: UV ray stabilizing priming, and lastly rough finish with acrylic resin, gris graphite or sand blasted silver.
Lampholder: In ceramics, with silver plated contacts. Socket E40.
Electric gear: 230V/50Hz supply with thermal protection. Silicone wired terminated in admiralty brass; silicone double insulation; cross-section: 1 sqmm. 2P terminal block (maximum allowed lead cross-section: 2.5 sqmm).
Equipment: Fiberglass nylon cable gland Ø 1/2 gas thread (cable min Ø 9 max Ø 12). Environment-friendly gasket. Removable control gear tray with lampholder, in fiberglass nylon. Complete with knife switch.
Mounting: On pole Ø 76/60 mm or arm.
Regulations: Produced according to applicable EN60598-1 CEI 34-21 standards, IP65IK08 degree of protection according to EN 60529 standards. Insulation class II.
Wind surface: 1800 sqcm.
Vista is already available with white light lamps (CPO-TW and CDO-TT)
"A new urban lighting concept that uses white light: white light clearly offers numerous advantages in terms of chromatic yield, quality, safety, illuminance and power-savings".



Code	Gear	Kg	Watt	Base	Lamps	Colour
422297-00	CNR-L	12,90	SAP-T 150	E40	17200lm-2000K-Ra 4	GRAPHITE
422296-00	CNR-L	13,30	JM-T 250	E40	20000lm-5200k-Ra 1a	GRAPHITE
422298-00	CNR-L	13,30	CDO-TT 150	E40	13500lm-2800K-Ra 1b	GRAPHITE
422300-00	CELL	12,90	CPO-TW 60	PGZ12	6850lm-2730K-Ra 66	GRAPHITE
422294-00	CNR-L	12,80	SAP-T 150	E40	17200lm-2000K-Ra 4	SANDBLASTED SILVER
422293-00	CNR-L	13,30	JM-T 250	E40	20000lm-5200k-Ra 1a	SANDBLASTED SILVER
422301-00	CELL	12,90	CPO-TW 60	PGZ12	6850lm-2730K-Ra 66	SANDBLASTED SILVER
422295-00	CNR-L	13,30	CDO-TT 150	E40	13500lm-2800K-Ra 1b	SANDBLASTED SILVER

Accessories

