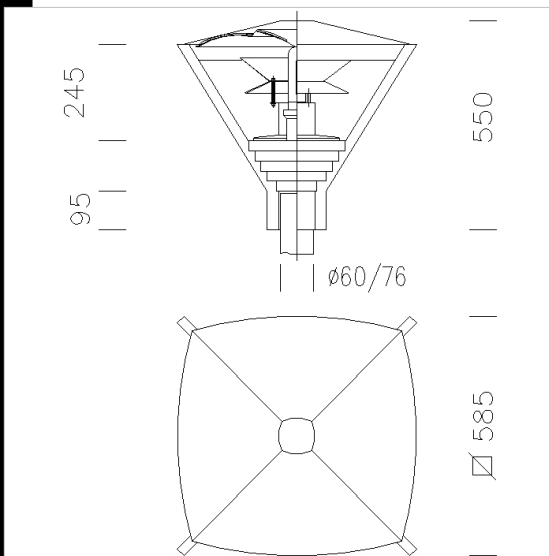


1599 Vista

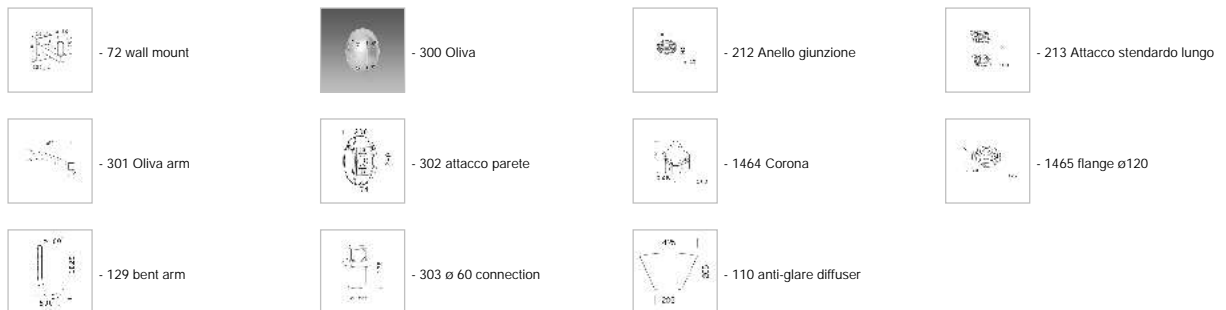
Housing/cover: In die-cast aluminium.  
 Diffuser: In vandal resistant and V2 self-extinguishing polycarbonate, UV-stabilized, anti-yellowing, smooth and clear both inside and out.  
 Reflector: Upper part in 6/8 μ thick anodized, pressed 99.85 aluminium, polished for high luminous efficiency.  
 Painting: the standard liquid immersion coating consists of a first metal surface pre-treatment stage, a successive epoxy cataphoresis corrosion and salt resistant coating, and a final layer of bi-component acrylic liquid UV-stabilised coating.  
 Lampholder: In ceramics, with silver plated contacts. Socket E40.  
 Electric gear: 230V/50Hz supply with thermal protection. Silicone wired terminated in admiralty brass; silicone double insulation; cross-section: 1 sqmm. 2P terminal block (maximum allowed lead cross-section: 2.5 sqmm).  
 Equipment: Fiberglass nylon cable gland Ø 1/2 gas thread (cable min Ø 9 max Ø 12). Environment-friendly gasket. Removable control gear tray with lampholder, in fiberglass nylon. Complete with knife switch.  
 Mounting: On pole Ø 76/60 mm or arm.  
 Regulations: Produced according to applicable EN60598-1 CEI 34-21 standards, IP65IK08 degree of protection according to EN 60529 standards. Insulation class II.  
 Wind surface: 1800 sqcm.  
 Vista is already available with white light lamps (CPO-TW and CDO-TT)  
 "A new urban lighting concept that uses white light: white light clearly offers numerous advantages in terms of chromatic yield, quality, safety, illuminance and power-savings".

- Download**  
 DXF 2D  
 - 1599.dxf  
 3DS  
 - disano\_1599\_vista.3ds  
 3DM  
 - disano\_1599\_vista.3dm  
 Montaggi  
 - vista classic.pdf



Code	Gear	Kg	Lumen-K-CRI	WTot	Base	Colour
422296-00	CNR-L	13.30	JM-T 250-20000lm-5200k-Ra 1a	277 W	E40	GRAPHITE
422297-00	CNR-L	12.90	SAP-T 150-17200lm-2000K-Ra 4	157 W	E40	GRAPHITE
422293-00	CNR-L	13.30	JM-T 250-20000lm-5200k-Ra 1a	277 W	E40	GREY9007
422294-00	CNR-L	12.80	SAP-T 150-17200lm-2000K-Ra 4	157 W	E40	GREY9007
422295-00	CNR-L	13.30	CDO-TT 150-13500lm-2800K-Ra 1b	157 W	E40	GREY9007
422298-00	CNR-L	13.30	CDO-TT 150-13500lm-2800K-Ra 1b	157 W	E40	GRAPHITE

Accessories



The reported luminous flux is the flux emitted by the light source with a tolerance of ± 10% compared to the indicated value. The W tot column indicates the total wattage absorbed by the system without exceeding 10% of the indicated