

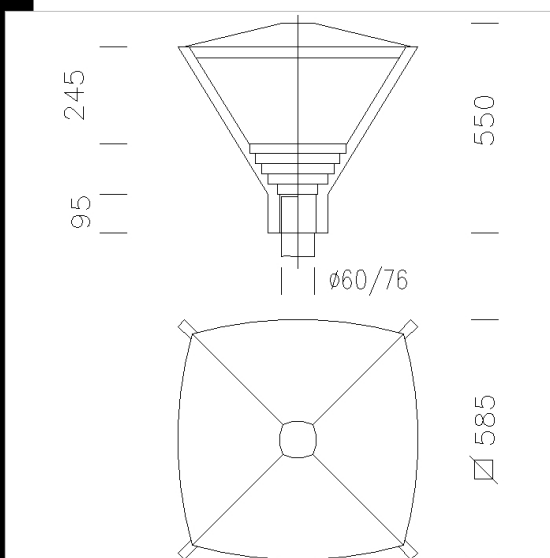


1595 Vista - with opal diffuser

Housing/cover: In die-cast aluminium.
 Diffuser: In vandal resistant and V2 self-extinguishing polycarbonate, UV-stabilized, anti-yellowing, smooth and opal.
 Painting: the standard liquid immersion coating consists of a first metal surface pre-treatment stage, a successive epoxy cathaphoresis corrosion and salt resistant coating, and a final layer of bi-component acrylic liquid UV-stabilised coating.
 Lampholder: In ceramics, with silver plated contacts. Socket E40.
 Electric gear: 230V/50Hz supply with thermal protection. Silicone wired terminated in admiralty brass; silicone double insulation; cross-section: 1 sqmm. 2P terminal block (maximum allowed lead cross-section: 2.5 sqmm).
 Equipment: Fiberglass nylon cable gland Ø 1/2 gas thread (cable min Ø 9 max Ø 12). Environment-friendly gasket. Removable control gear tray with lampholder, in fiberglass nylon. Complete with knife switch.
 Mounting: On pole Ø 76/60 mm or arm.
 Regulations: Produced according to applicable EN60598-1 CEI 34-21 standards, IP65IK08 degree of protection according to EN 60529 standards. It has been granted the ENEC European Certificate of Conformity.
 Insulation class II.
 Non-polluting louvre, ideal for installation in zone 3 (UNI10819).
 Wind surface: 1800 sqcm.

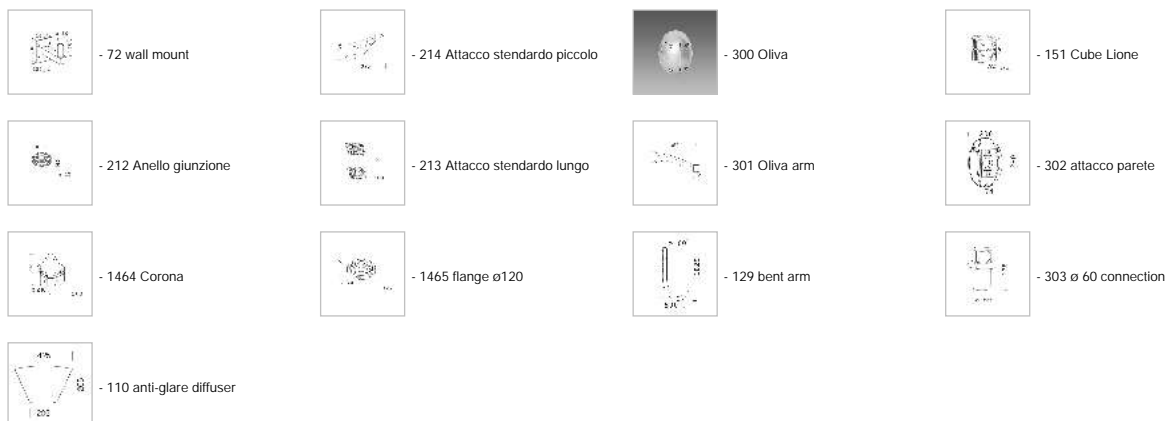
Download

- DXF 2D
- 1595.dxf
- 3DS
- disano_1595_vista.3ds
- 3DM
- disano_1595_vista.3dm
- Montaggi
- vista classic.pdf



Code	Gear	Kg	Lumen-K-CRI	WTot	Base	Colour
422270-00	CNR-L	13.10	JM-T 250-20000lm-5200k-Ra 1a	277 W	E40	GREY9007
422268-00	CNR-L	10.80	SAP-E 100-9500lm-2000K-Ra 4	116 W	E40	GREY9007
422261-00	CNR-L	10.80	SAP-E 100-9500lm-2000K-Ra 4	116 W	E40	GRAPHITE
422262-00	CNR-L	13.10	JM-T 250-20000lm-5200k-Ra 1a	277 W	E40	GRAPHITE
422266-00	CELLF-E	12.10	JM-T 150-14000lm-4000K-Ra1b	157 W	E40	GREY9007
422271-00	CNR-L	12.10	JM-T 150-14000lm-4000K-Ra1b	157 W	E40	GRAPHITE

Accessories



The reported luminous flux is the flux emitted by the light source with a tolerance of ± 10% compared to the indicated value. The W tot column indicates the total wattage absorbed by the system without exceeding 10% of the indicated